

CAT. No.

82440-LK

LOCKING 15A-125V HOSPITAL GRADE DETACHABLE POWER CORD, NEMA 5-15P HOSPITAL GRADE (GREEN DOT) PLUG, IEC 60320 "LOCKING" C-13 CONNECTOR, SJTOW 14/3 AWG, 105 DEGREE C, 2 POLE- 3 WIRE GROUNDING, 3.1M (10 FEET) LONG. BLACK. COILED.

PLUG APPROVALS C-UL-US

CONNECTOR APPROVALS C-UL-US

CORDAGE APPROVALS C-UL-US

CERTIFICATIONS REACH  ROHS  ROHS2  HOSPITAL GRADE

STANDARDS UL 817  CAN/CSA C22.2 no 21  UL 498  NEMA 5-15P  IEC 60320 C-13  ANSI C73.11  SJTOW

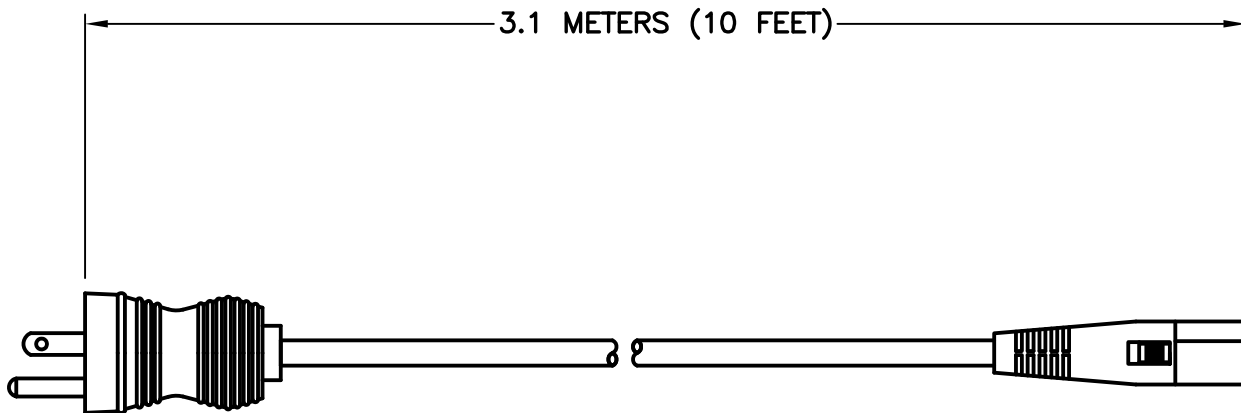
SPECIFICATIONS:

- 1. OVERALL LENGTH: 3.1 METERS (10 FEET)
- 2. CONDUCTORS: 14 AWG X 3 (BLACK/WHITE/GREEN)
- 3. JACKET: SJTOW, 105°C, BLACK
- 4. PLUG: NEMA 5-15 HOSPITAL GRADE, STRAIGHT, BLACK
- 5. CONNECTOR: IEC 60320 LOCKING C-13, STRAIGHT, BLACK
- 6. RATED: 15 AMPERE 125 VOLT

Note: IEC 60320 C-13 CONNECTOR LOCKS ONTO C-14 POWER INLETS. SLIDE BUTTONS (RED COLOR) RELEASE (UNLOCKS) THE C-13 CONNECTOR.



NEMA 5-15P  
HOSPITAL GRADE



IEC 60320.  
LOCKING C-13

