

CAT. No.

87101-RA

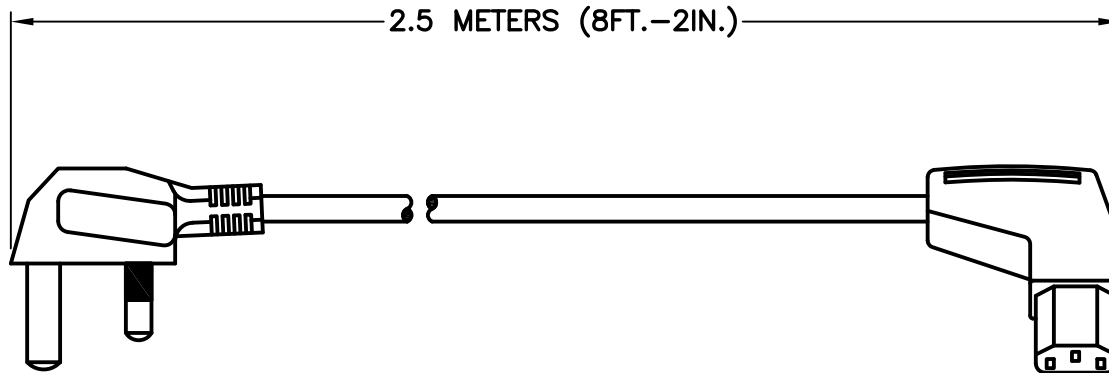
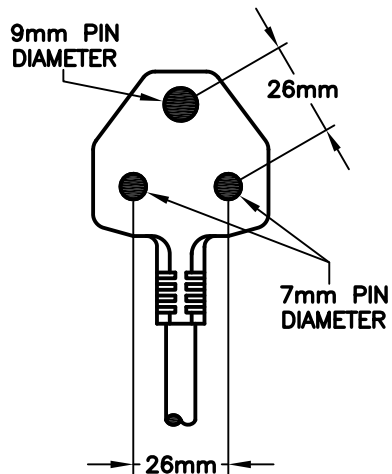
AFRICA, S. AFRICA, INDIA 10 AMPERE 250 VOLT POWER CORD, (UK2-15P) BS 546A TYPE M PLUG, RIGHT ANGLE IEC 60320 C-13 CONNECTOR, 2 POLE-3 WIRE GROUNDING, 2.5 METERS (8FT.-2IN.) LONG. BLACK.

| | | | | | | | |
|----------------|--|---|--|--|--|---|---|
| APPROVALS | SABS <input checked="" type="checkbox"/> | CEBEC <input checked="" type="checkbox"/> | KEMA <input checked="" type="checkbox"/> | NEMKO <input checked="" type="checkbox"/> | OVE <input checked="" type="checkbox"/> | SEMKO <input checked="" type="checkbox"/> | VDE <input checked="" type="checkbox"/> |
| CERTIFICATIONS | REACH <input checked="" type="checkbox"/> | ROHS <input checked="" type="checkbox"/> | ROHS2 <input checked="" type="checkbox"/> | CE <input checked="" type="checkbox"/> | | | |
| STANDARDS | BS 546 <input checked="" type="checkbox"/> | BS 546A <input checked="" type="checkbox"/> | SANS 164-1 <input checked="" type="checkbox"/> | SABS 164-1 <input checked="" type="checkbox"/> | IA16A3 <input checked="" type="checkbox"/> | | |

SPECIFICATIONS:

1. OVERALL LENGTH: 2.5 METERS (8FT.-2IN.)
2. CONDUCTORS: 1.0 mm x 3 WITH IEC COLOR CODE (GREEN/YELLOW, BLUE, BROWN)
3. JACKET: H05VV-F, BLACK
4. PLUG: BS 546A, RIGHT ANGLE, BLACK
5. CONNECTOR: IEC 60320 C-13, RIGHT ANGLE, BLACK
6. RATED: 10 AMPERE 250 VOLT

PLUG DIMENSIONS



IEC 60320 C-13

**UK2-15P
(BS 546A)**

International Configurations, Inc. P.O. Box 3374 Enfield, Connecticut 06083 TEL (860)749-6380 FAX (860)749-2985

www.InternationalConfig.com

sales@internationalconfig.com

Copyright 2017 International Configurations, Inc. All Right Reserved ©