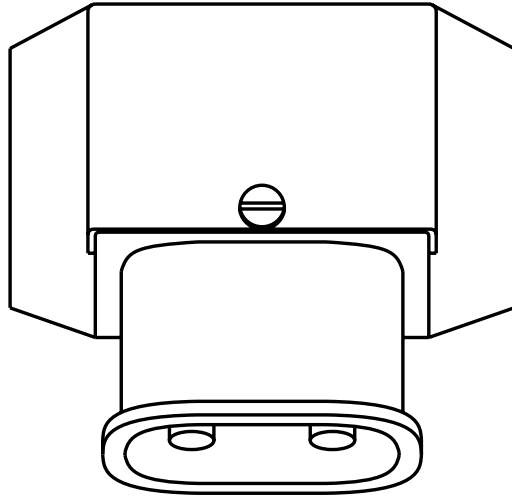


CAT. No.
111-10136

HIGH TEMPERATURE HEATER INLET WITH ANGLE BOX, ROUND PINS, PORCELAIN TERMINAL BASE, METAL SHELL
200° C, 10 AMPERE 250 VOLT DC / 16 AMPERE 250 VOLT AC
STANDARD: DIN 49490



ALL DIMENSIONS ARE IN MILLIMETERS

