

CAT. No.
111-10140-LRA

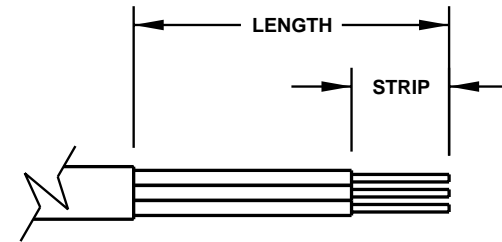
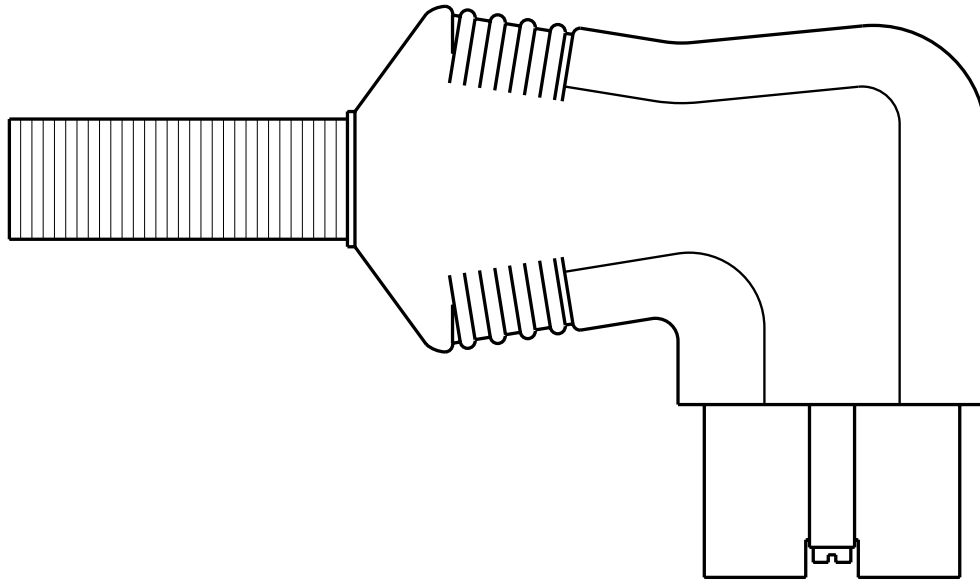
**ROUND PIN HEATER APPLIANCE CONNECTOR, LEFTANGLE/RIGHTANGLE TYPE, METAL COVER, SILICONE BODY,
25 AMPERE 220 / 380 VOLT, 2 POLE 3 WIRE GROUNDING**

ALL DIMENSIONS ARE IN MILLIMETERS

MAXIMUM JACKET O.D. ACCEPTED BY EXTERNAL STRAIN RELIEF = 14 DIA (0.551")
 MAXIMUM JACKET O.D. ACCEPTED BY INTERNAL STRAIN RELIEF = 14 DIA (0.551")
 MAXIMUM CONDUCTOR SIZE ACCEPTED BY TERMINALS = 4.0 (12 AWG)

CORDAGE PREPARATION

<u>CONDUCTOR INSULATION COLOR</u>	<u>CONDUCTOR COLOR CODE</u>	<u>"LENGTH"</u>	<u>"STRIP"</u>
GREEN / YELLOW	GROUND	30	10
BLUE	NEUTRAL	90	10
BROWN	LINE	90	10



CORDAGE PREPARATION

