

CAT. No.

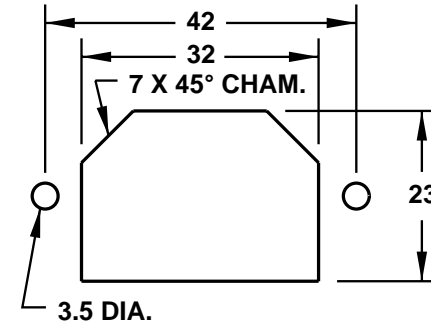
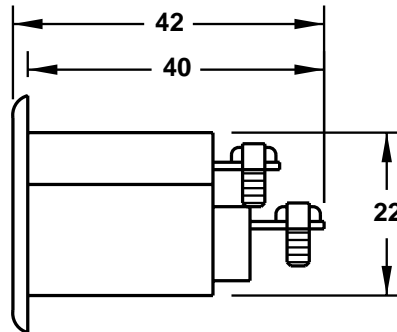
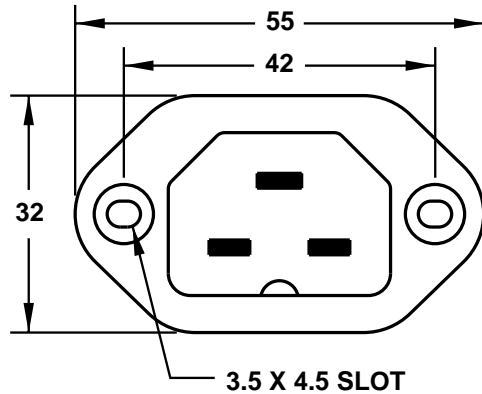
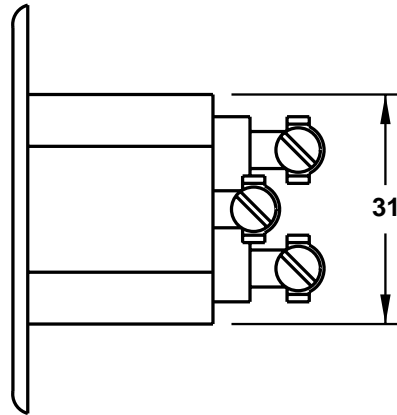
**111-10160**

FLAT PIN HEATER INLET, METAL SHELL, SCREW TERMINALS, 200°C, 10 AMPERE 250 VOLT, 2 POLE 3 WIRE

APPROVALS / CERT'S.

VDE

ALL DIMENSIONS ARE IN MILLIMETERS



**MOUNTING HOLE**