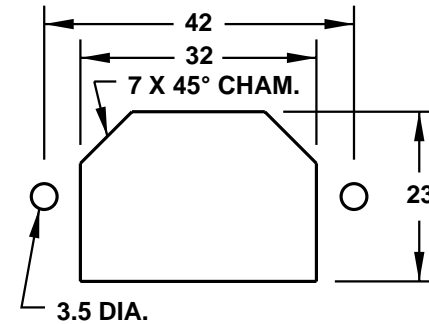
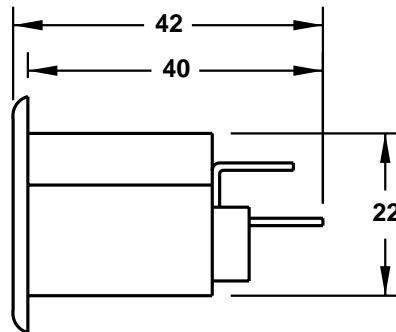
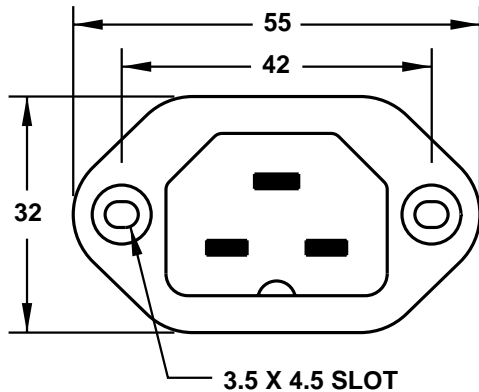
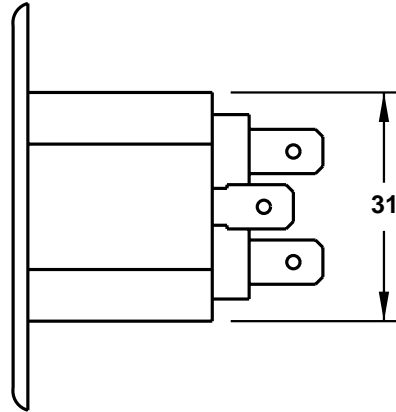


CAT. No.
111-10165

FLAT PIN HEATER INLET, METAL SHELL, 1/4 INCH QUICK CONNECT TERMINALS, 200°C, 10 AMPERE 250 VOLT,
2 POLE 3 WIRE

APPROVALS / CERT'S. OVE SEMKO

ALL DIMENSIONS ARE IN MILLIMETERS



MOUNTING HOLE