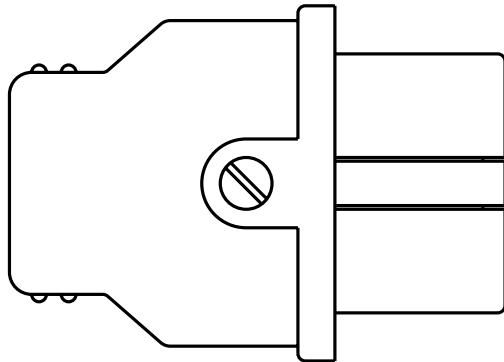


CAT. No.

111-10345

ROUND PIN HEATER APPLIANCE CONNECTOR, ANGLE TYPE, SILICONE RUBBER, RED BODY, BLACK COVER,
200°C CONTINUOUS USAGE AND 300°C SHORT TERM USAGE, 16 AMPERE 250 VOLT, 2 POLE 3 WIRE
STANDARD: DIN 49 491

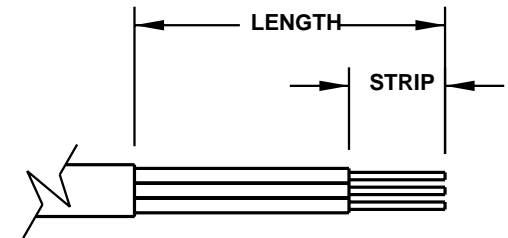
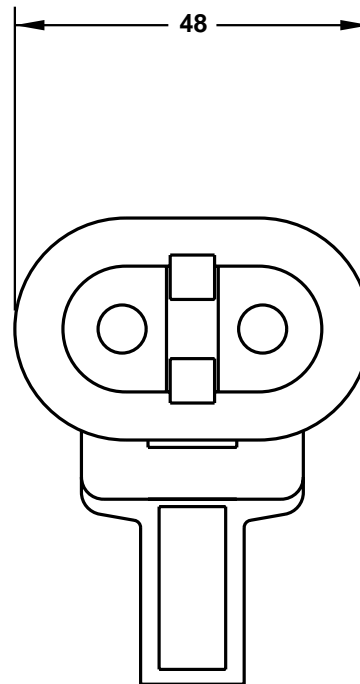
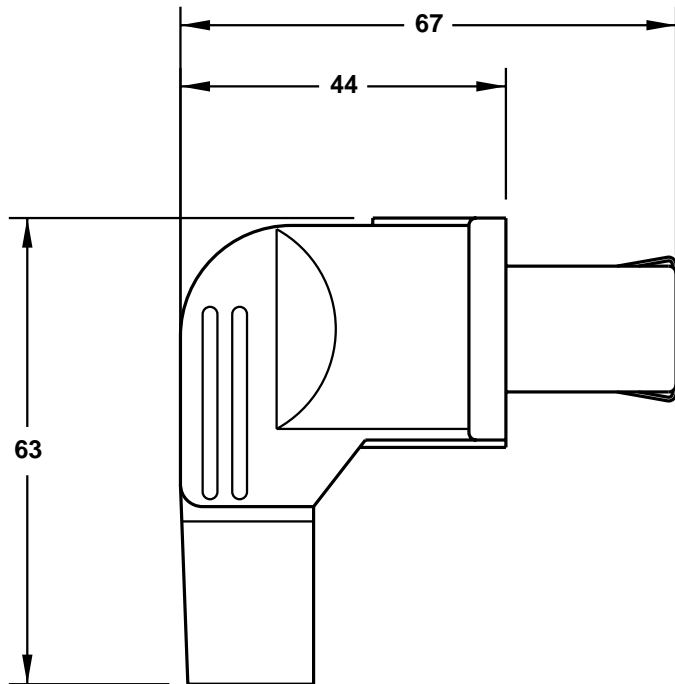
ALL DIMENSIONS ARE IN MILLIMETERS



MAXIMUM JACKET O.D. ACCEPTED BY EXTERNAL STRAIN RELIEF = 9 DIA (0.354")
MAXIMUM JACKET O.D. ACCEPTED BY INTERNAL STRAIN RELIEF = 10 DIA (0.394")
MAXIMUM CONDUCTOR SIZE ACCEPTED BY TERMINALS = 2.5 (14 AWG)

CORDAGE PREPARATION

<u>CONDUCTOR INSULATION COLOR</u>	<u>CONDUCTOR COLOR CODE</u>	<u>"LENGTH"</u>	<u>"STRIP"</u>
GREEN / YELLOW	GROUND	15	6
BLUE	NEUTRAL	30	6
BROWN	LINE	30	6



CORDAGE PREPARATION