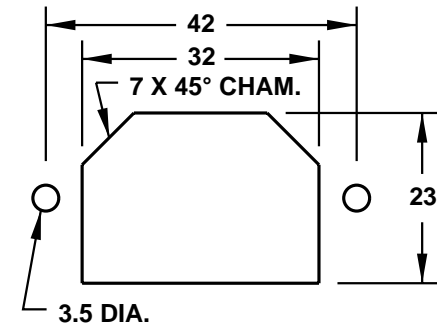
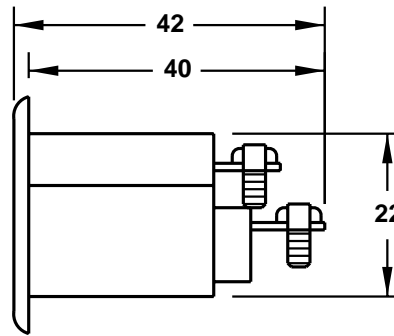
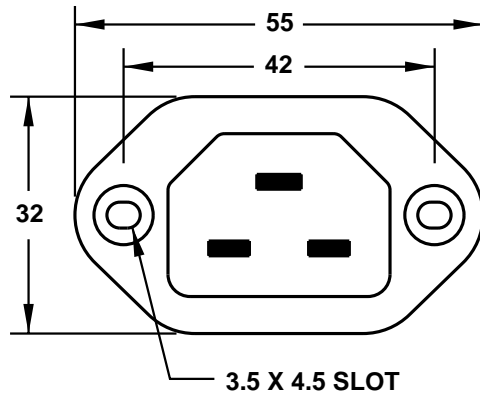
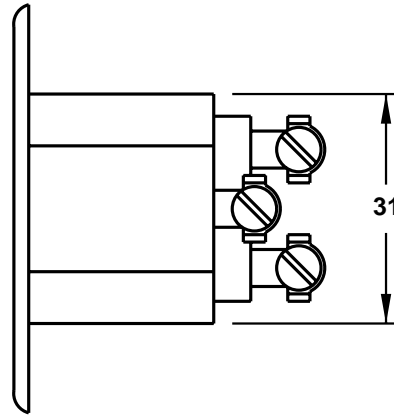


CAT. No.  
**111-10410**

FLAT PIN HEATER INLET CONNECTOR, PORCELAIN TERMINAL BASE, METAL SHELL, SCREW TERMINALS,  
200°C, 16 AMPERE 250 VOLT, 2 POLE 3 WIRE  
STANDARD: DIN 49458 A/B

APPROVALS / CERT'S. OVE  SEMKO  VDE

ALL DIMENSIONS ARE IN MILLIMETERS



**MOUNTING HOLE**