

CAT. No.

111-10415

FLAT PIN HEATER INLET CONNECTOR, PORCELAIN TERMINAL BASE, METAL SHELL, 1/4 INCH Q.C. TERMINALS,
200°C, 16 AMPERE 250 VOLT, 2 POLE 3 WIRE
STANDARD: DIN 49458 A/B

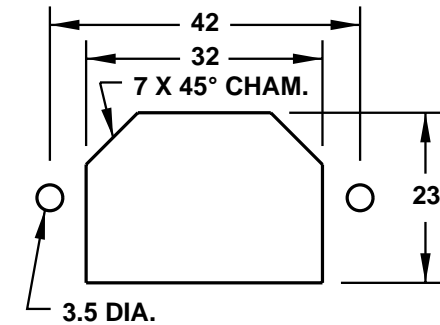
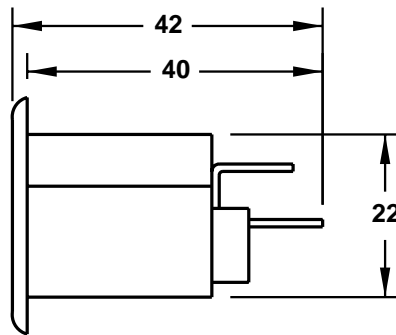
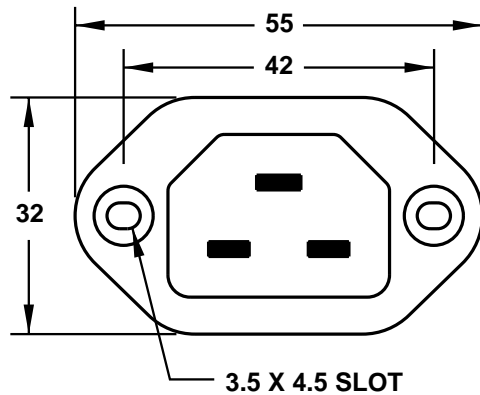
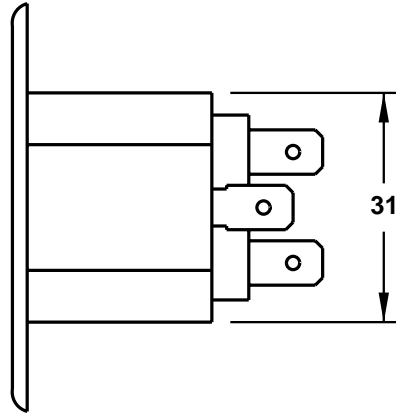
APPROVALS / CERT'S.

OVE

SEMKO

VDE

ALL DIMENSIONS ARE IN MILLIMETERS



MOUNTING HOLE