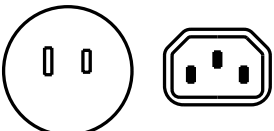
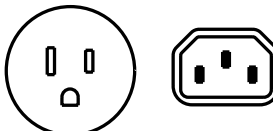
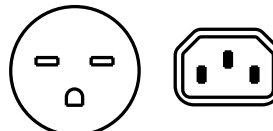
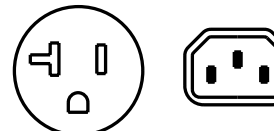
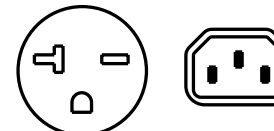
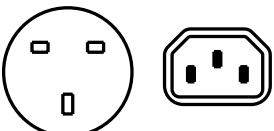
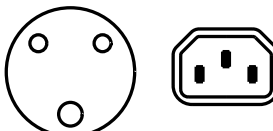
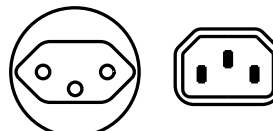
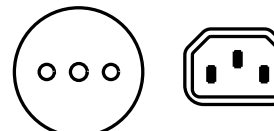
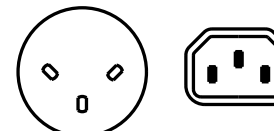
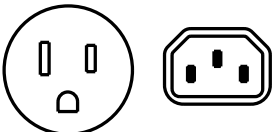
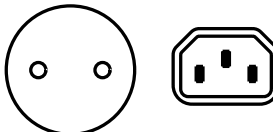
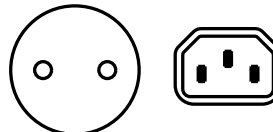
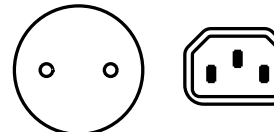


CAT. No.
30235

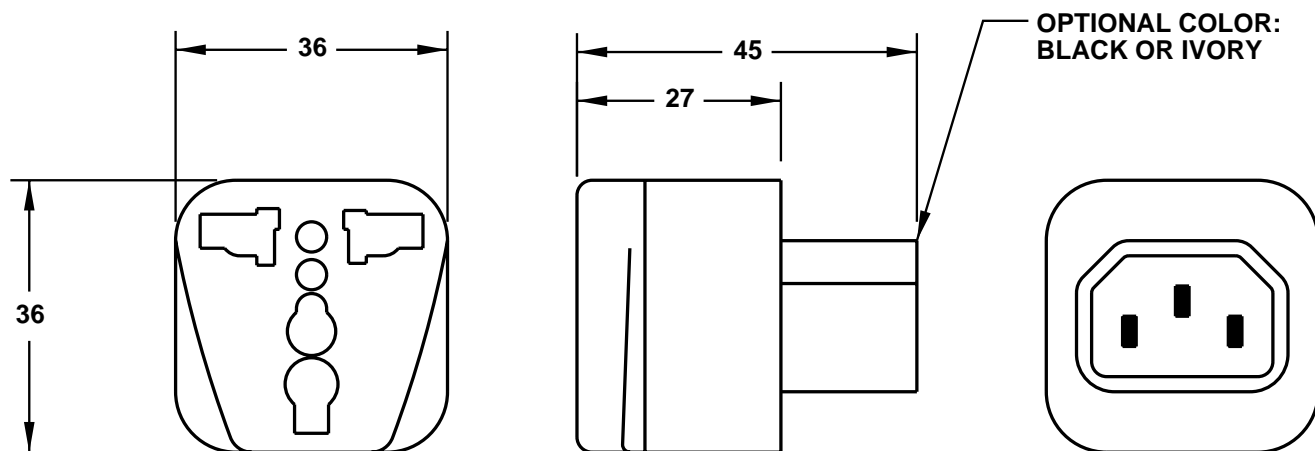
PLUG ADAPTER, ALLOWS NEMA 1-15P, NEMA 5-15P, NEMA 6-15P, NEMA 5-20P, NEMA 6-20P, UK1-13P, UK3-5P, SW1-10P, IT1-10P, IS1-16P, JA1-15P, EU1-16P (NON-GROUNDING), DE1-13P (NON-GROUNDING) AND EUROPLUG (NON-GROUNDING) TO INTERFACE WITH IEC320C-13 OUTLETS, IVORY, 2 POLE 3 WIRE.

 NEMA 1-15R IEC 320 C-14	 NEMA 5-15R IEC 320 C-14	 NEMA 6-15R IEC 320 C-14	 NEMA 5-20R IEC 320 C-14	 NEMA 6-20R IEC 320 C-14
 UK1-13R IEC 320 C-14	 UK3-5R IEC 320 C-14	 SW1-10R IEC 320 C-14	 IT1-10R IEC 320 C-14	 IS1-16R IEC 320 C-14
 JA1-15R IEC 320 C-14	 EU1-16R NON-GROUNDING IEC 320 C-14	 DE1-13R NON-GROUNDING IEC 320 C-14	 EUROPLUG NON-GROUNDING IEC 320 C-14	

NOTES:

- ADAPTERS OFTEN HAVE A DIFFERENT RATING ON THE BLADE (PLUG) END AND THE RECEPTACLE END. CAUTION SHOULD BE EXERCISED IN THEIR USE. OVERCURRENT PROTECTION IS DETERMINED BY THE PLUG END.
- THIS ADAPTER ACCEPTS ALL OF THE ABOVE PLUG CONFIGURATIONS.

ALL DIMENSIONS ARE IN MILLIMETERS



www.InternationalConfig.com
sales@internationalconfig.com