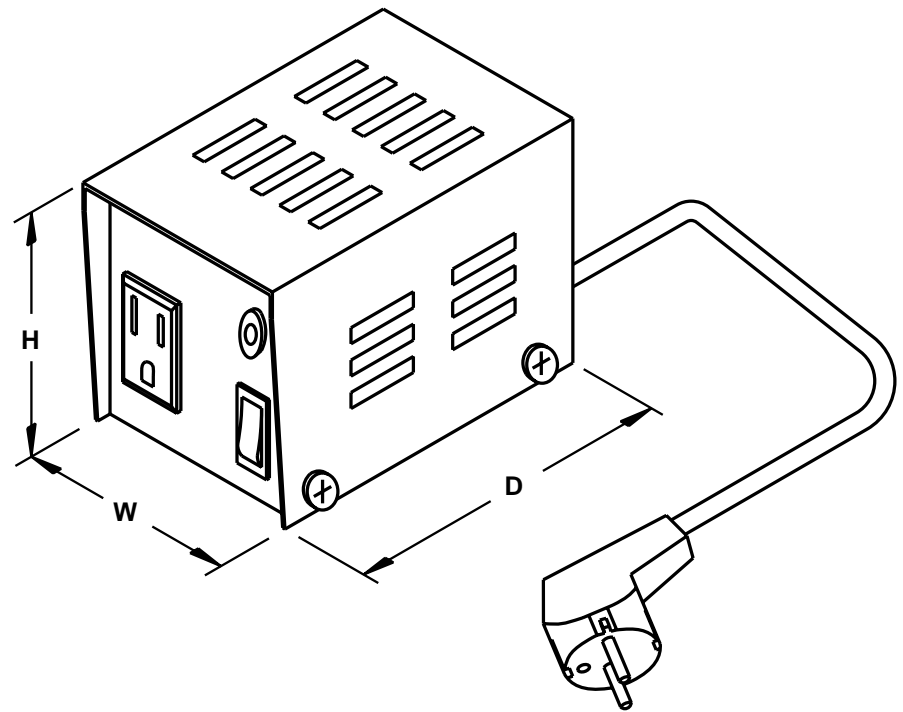


CAT. No.  
**34xxx-EU TRANS**

INTERNATIONAL STEP-DOWN AUTO TRANSFORMER WITH CORD AND "SCHUKO" EU1-16P PLUG, NEMA 5-15R OUTLET, FUSED, ON/OFF SWITCH, 220/240 VOLT INPUT, 110/120 VOLT OUTPUT, 50/60 HERTZ



CAT. No.	WATTS (VA)	WEIGHT LBS.	H	W	D
34010-EU	100	2	3"	3 1/4"	5 1/8"
34020-EU	200	3	3"	3 1/4"	5 1/8"
34030-EU	300	5	3 5/8"	3 3/4"	6 1/8"
34050-EU	500	6	3 5/8"	4 1/8"	6 3/8"
34080-EU	800	14	4 3/8"	5 3/8"	7 1/2"
34100-EU	1000	17	4 3/4"	6 3/8"	9"
34150-EU	1500	27	5 3/4"	6 3/4"	10"
34200-EU	2000	30	6"	9"	9"