

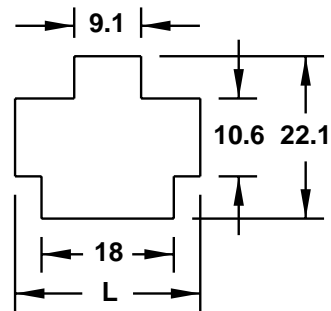
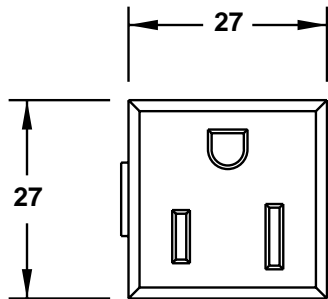
CAT. No.  
**4300.0701**

**NEMA 5-15 SNAP-IN OUTLET, 15 AMPERE 125 VOLT, BLACK NYLON, 2 POLE 3 WIRE,  
4.8 X 5mm Q.C/SOLDER TERMINALS**

APPROVALS / CERT'S.

CSA  UL

**ALL DIMENSIONS ARE IN MILLIMETERS**



PANEL THICKNESS	L
0.8	24
1.0	24.6
1.2	25.2
1.6	26.2

