

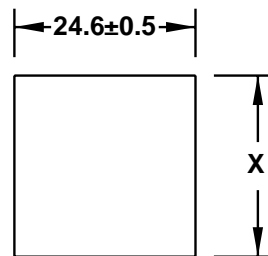
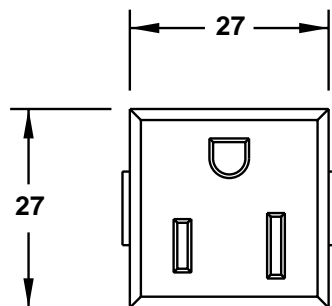
CAT. No.  
**4300.0702**

NEMA 5-15 SNAP-IN OUTLET, 15 AMPERE 125 VOLT, BLACK NYLON, 2 POLE 3 WIRE, V SLOT TERMINALS (AWG #14)

APPROVALS / CERT'S.

CSA  UL

ALL DIMENSIONS ARE IN MILLIMETERS



PANEL THICKNESS	X
0.8 - 1.2+	24.6
1.3 - 1.6+	24.8

