

CAT. No.

4QEL

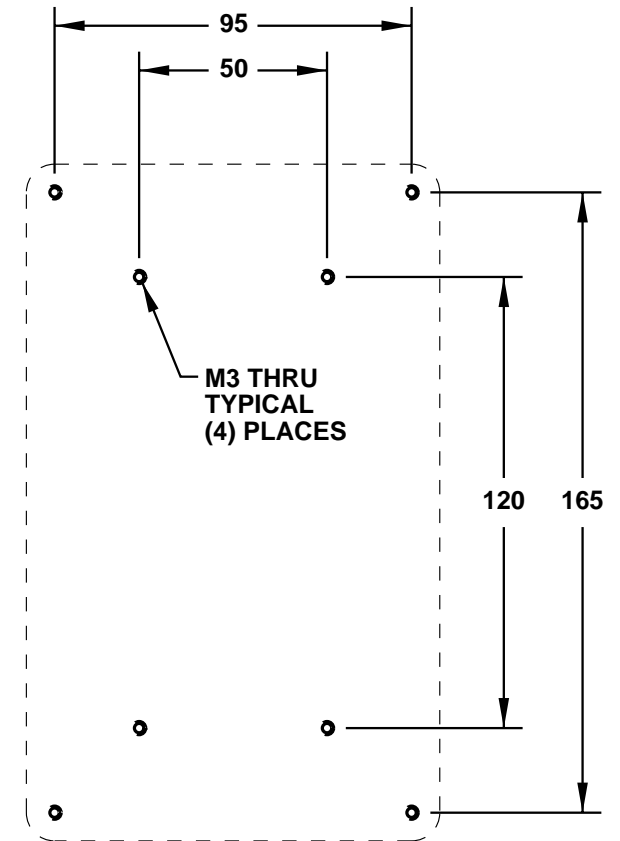
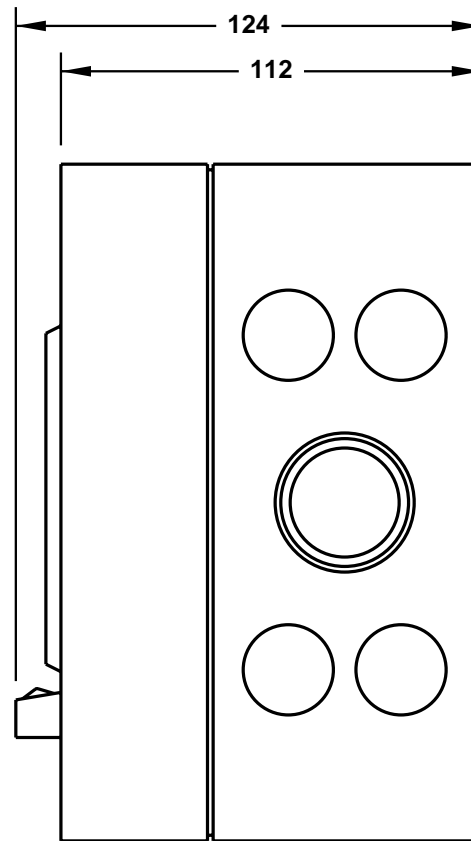
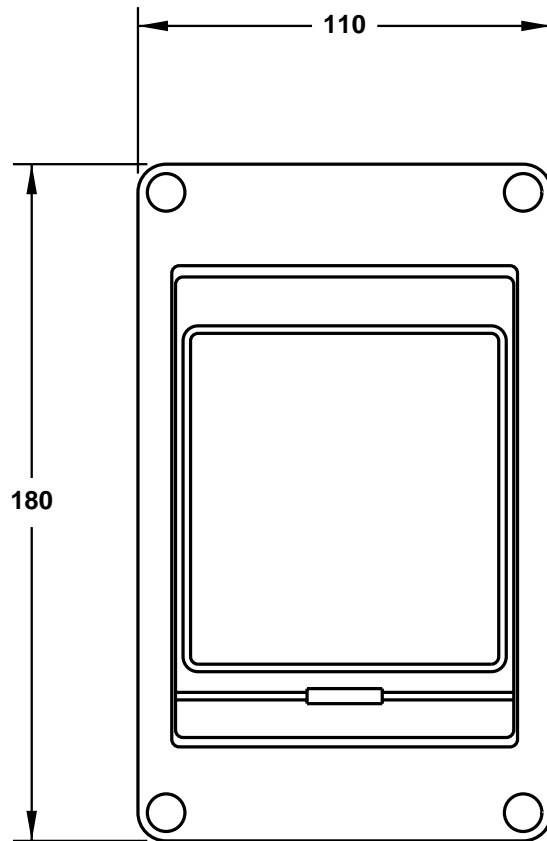
SURFACE MOUNT GRAY ENCLOSURE FOR 35 mm DIN RAIL MOUNTED GFCI (RCCB/RCBO) BREAKERS AND/OR OVERLOAD BREAKERS. IP 54 PROTECTION (IP65 AVAILABLE). GROUND/NEUTRAL TERMINAL STRIP. ACCEPTS 4 SINGLE MODULES. NOTE: IP 54 RATING STANDARD WITH SUPPLIED ENTRY SPOUTS. IP 65 RATING OBTAINED BY USING OPTIONAL IP65 CABLE GLANDS.

APPROVALS / CERT'S.

CE



ALL DIMENSIONS ARE IN MILLIMETERS



MOUNTING ARRANGEMENT