

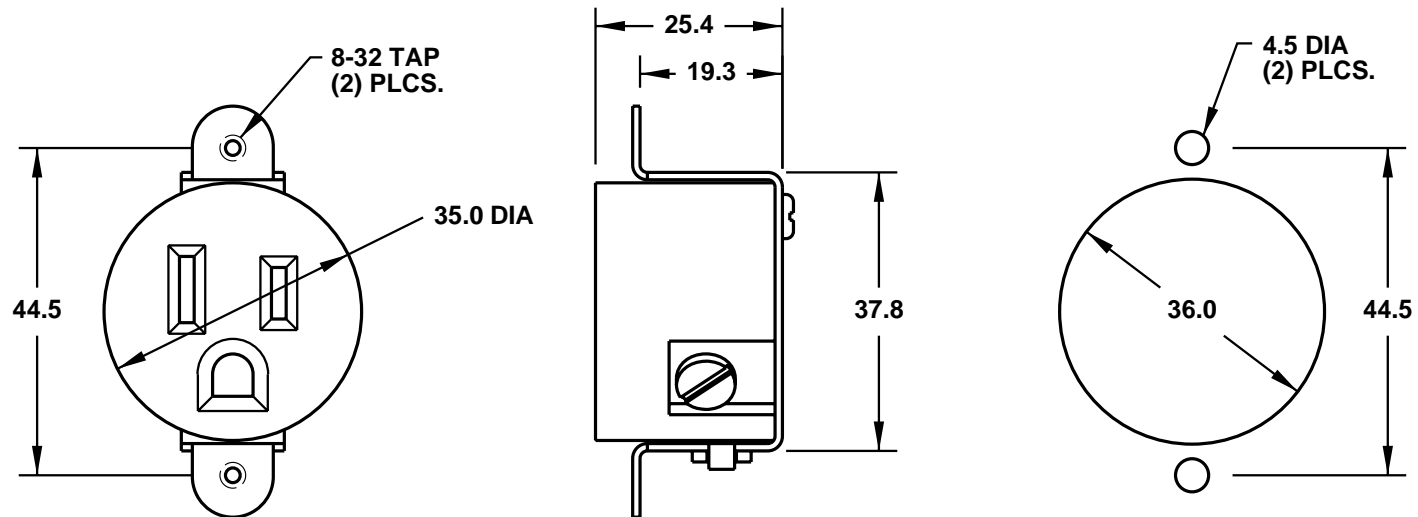
CAT. No.
5258

NEMA 5-15R SINGLE RECEPTACLE, BROWN, PANEL MOUNT, 2 POLE 3 WIRE, 15 AMPERE 125 VOLT

APPROVALS / CERT'S.

CSA UL

ALL DIMENSIONS ARE IN MILLIMETERS



CUTOUT FOR PANEL
MOUNTING