

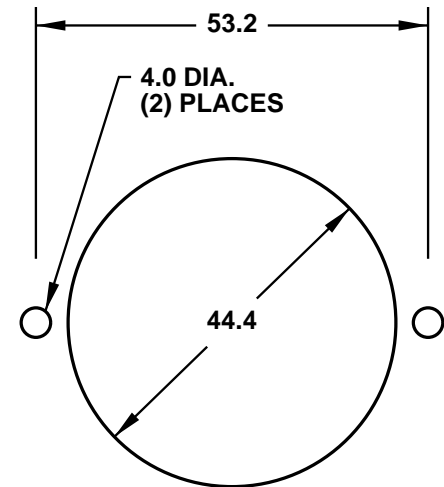
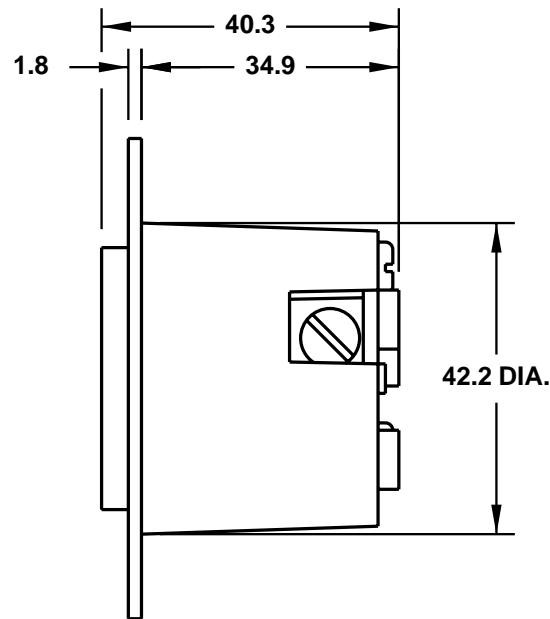
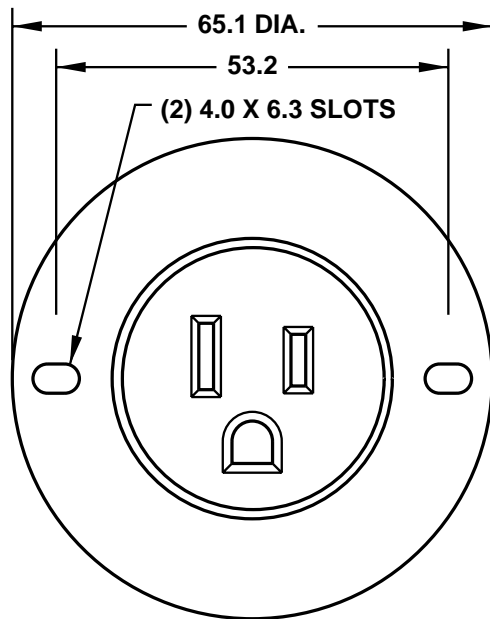
CAT. No.
5279-SS

NEMA 5-15R FLANGED OUTLET, GRAY, 2 POLE 3 WIRE, 15 AMPERE 125 VOLT

APPROVALS / CERT'S.

CSA UL

ALL DIMENSIONS ARE IN MILLIMETERS



CUTOUT FOR
PANEL MOUNTING