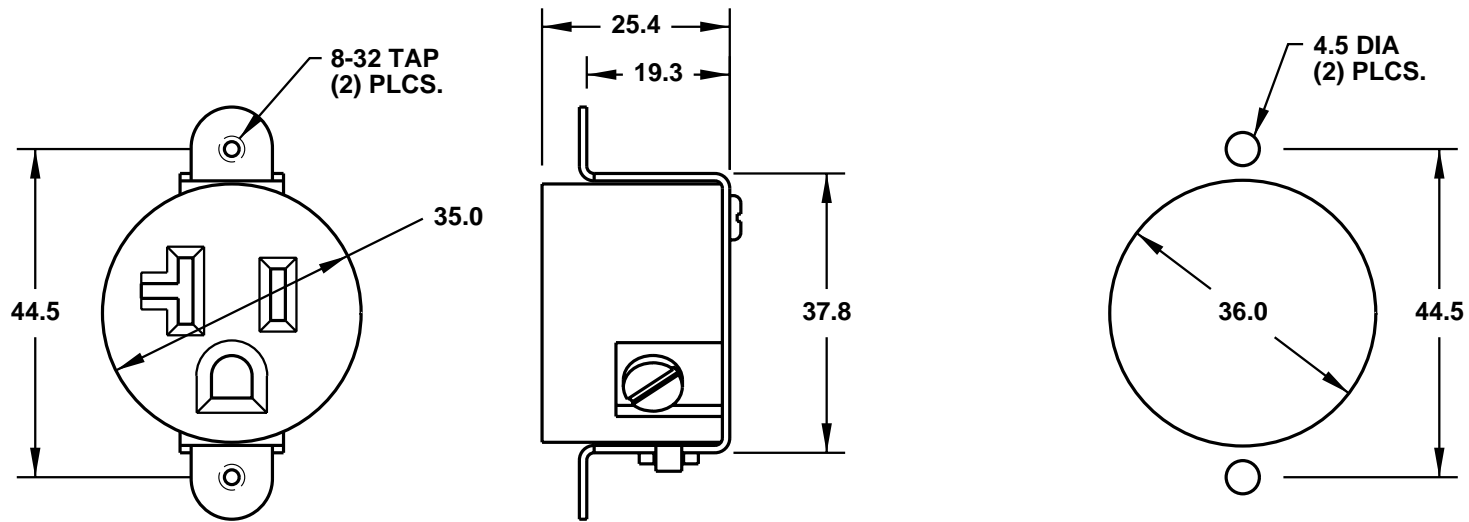


CAT. No.
5358-I

NEMA 5-20R SINGLE RECEPTACLE, IVORY, PANEL MOUNT, SIDE WIRED, 2 POLE 3 WIRE GROUNDING,
20 AMPERE 125 VOLT

APPROVALS / CERT'S. | UL

ALL DIMENSIONS ARE IN MILLIMETERS



CUTOUT FOR
PANEL MOUNTING