

CAT. No.

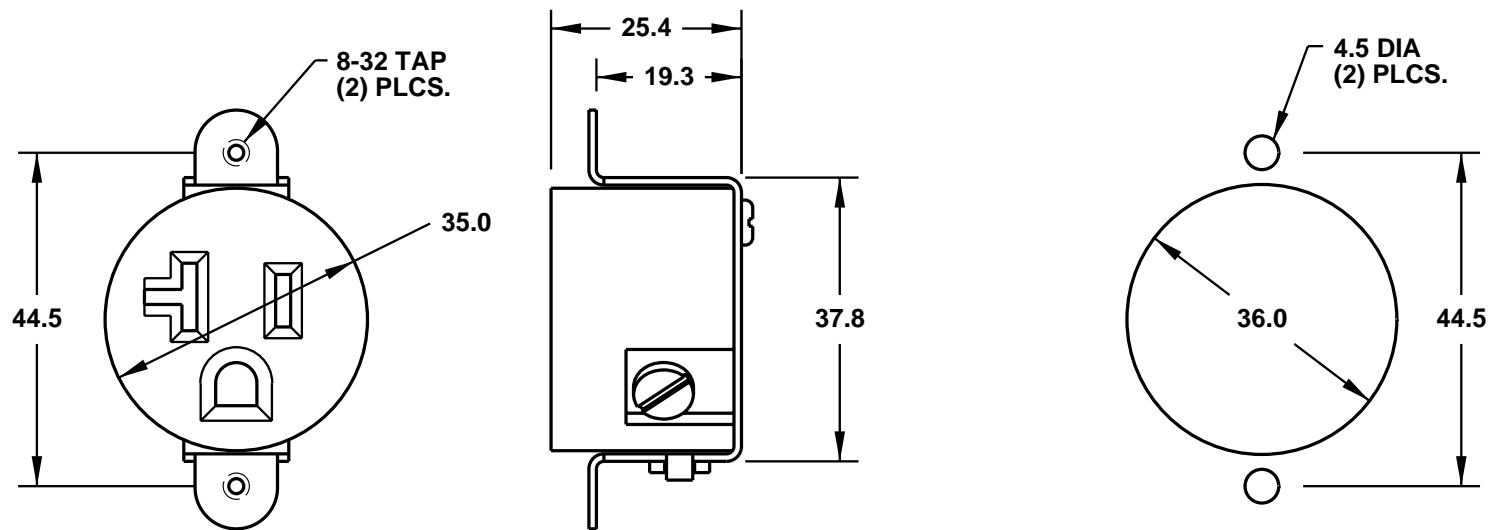
**5358**

NEMA 5-20R SINGLE RECEPTACLE, BROWN, PANEL MOUNT, SIDE WIRED, 2 POLE 3 WIRE  
GROUNDING, 20 AMPERE 125 VOLT

APPROVALS / CERT'S.

UL

ALL DIMENSIONS ARE IN MILLIMETERS



CUTOUT FOR  
PANEL MOUNTING

[www.InternationalConfig.com](http://www.InternationalConfig.com)  
[sales@internationalconfig.com](mailto:sales@internationalconfig.com)