

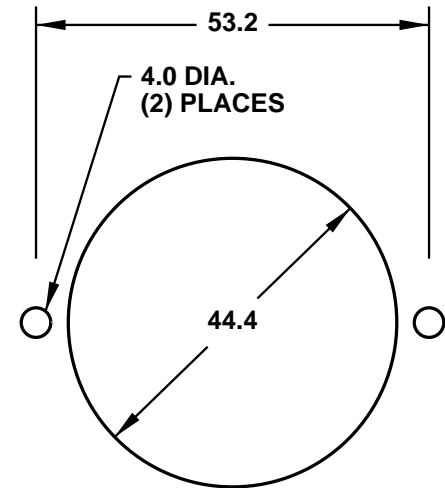
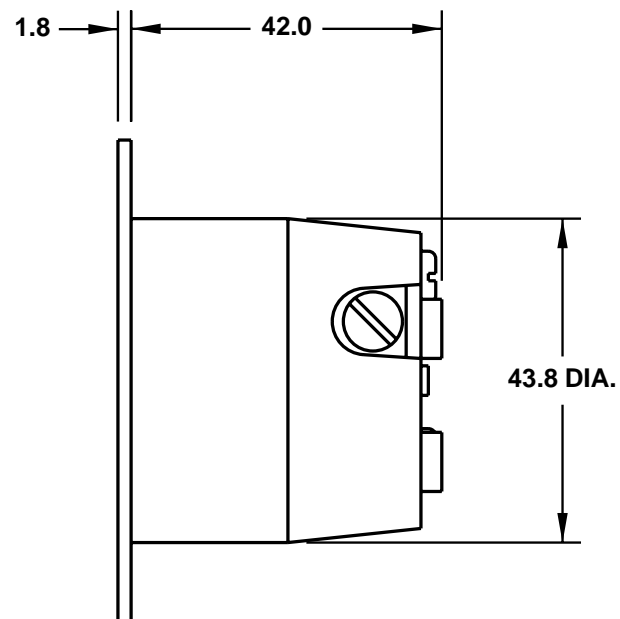
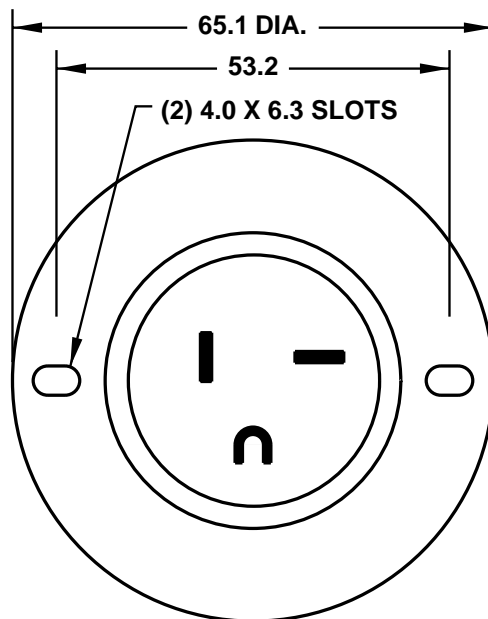
CAT. No.
5378-SS

NEMA 5-20P FLUSH MOUNT FLANGED INLET, GRAY, 2 POLE 3 WIRE GROUNDING, 20 AMPERE 125 VOLT

APPROVALS / CERT'S.

UL

ALL DIMENSIONS ARE IN MILLIMETERS



CUTOUT FOR
PANEL MOUNTING