

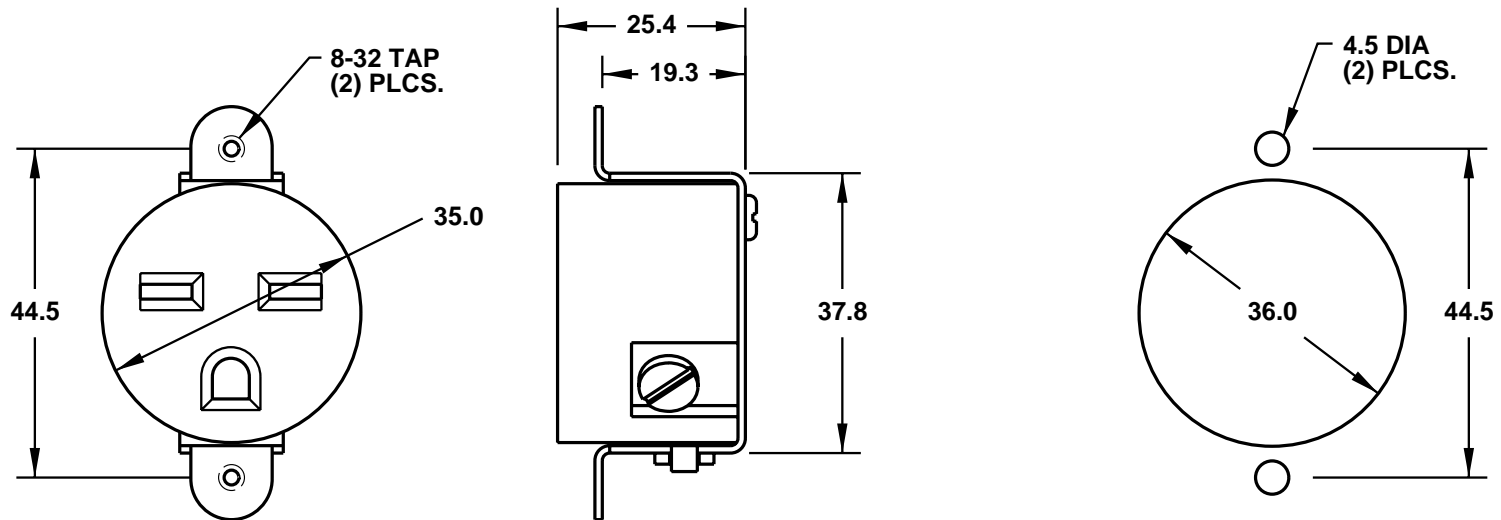
CAT. No.
5658-I

NEMA 6-15R SINGLE RECEPTACLE, IVORY, PANEL MOUNT, SIDE WIRED, 2 POLE 3 WIRE, 15 AMPERE 250 VOLT

APPROVALS / CERT'S.

CSA UL

ALL DIMENSIONS ARE IN MILLIMETERS



CUTOUT FOR
PANEL MOUNTING