

CAT. No.
5678-SS

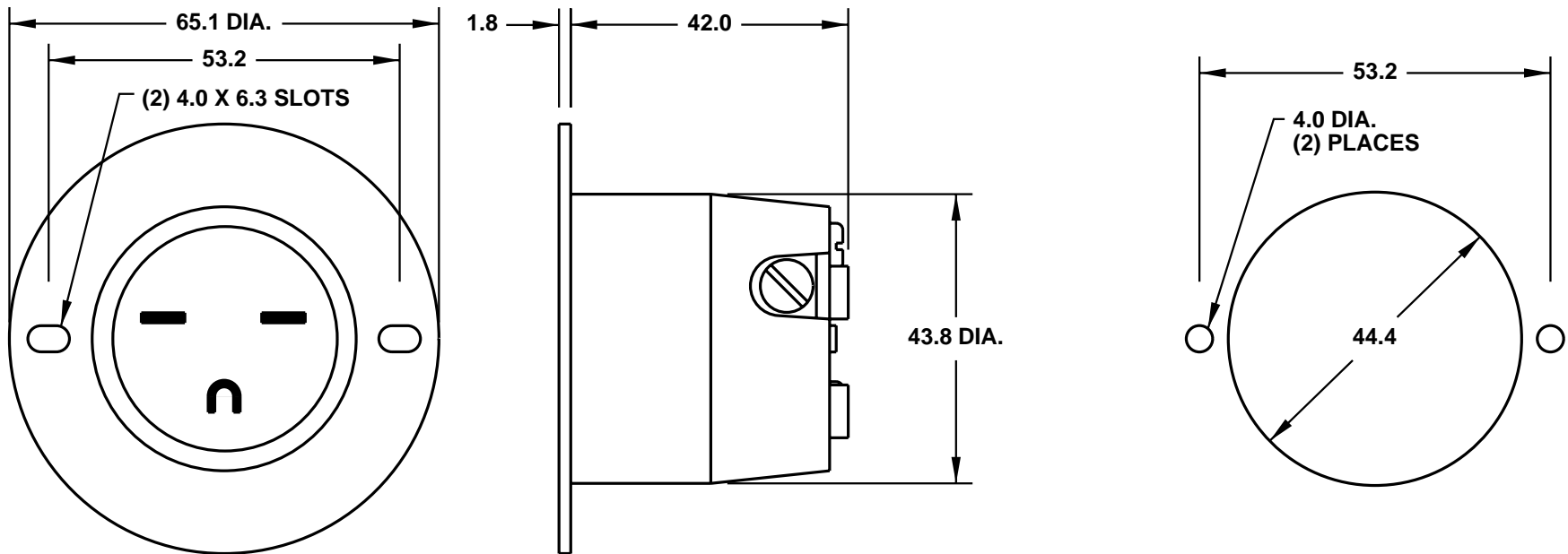
NEMA 6-15P FLUSH MOUNT FLANGED INLET, GRAY, 2 POLE 3 WIRE GROUNDING, 15 AMPERE 250 VOLT

APPROVALS / CERT'S.

CSA

UL

ALL DIMENSIONS ARE IN MILLIMETERS



CUTOUT FOR
PANEL MOUNTING