

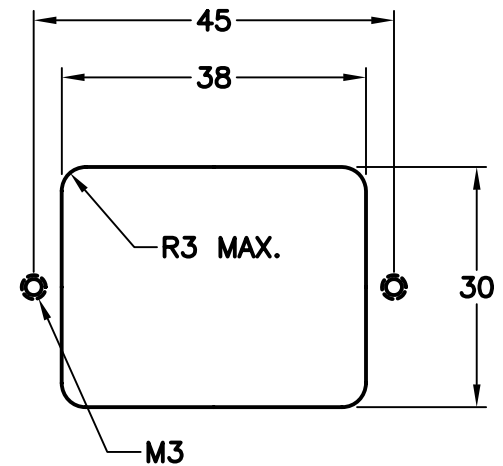
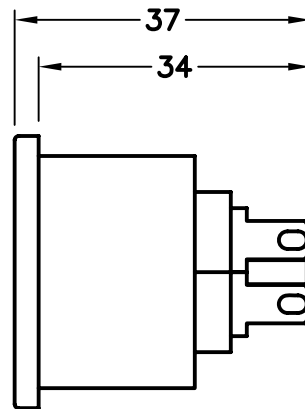
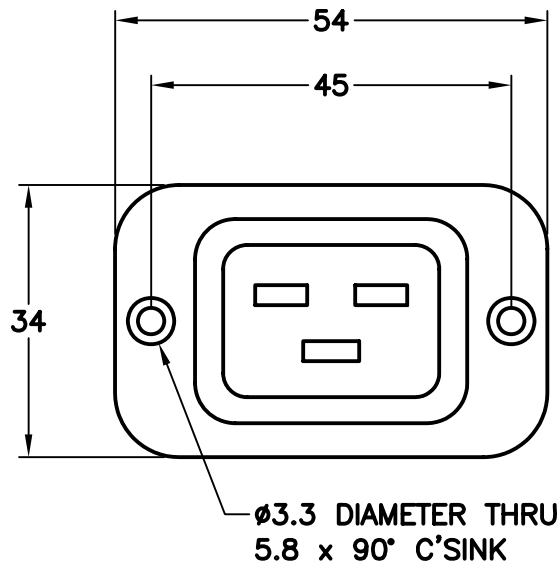
CAT. No.

57107

IEC60320 C-19 POWER OUTLET, 4.0 mm (3/16") SOLDER TERMINALS, 20A-250V(UL/CSA)  
16A-250V(VDE,CCC), BLACK, SCREW MOUNT TO PANELS.

20A 250V	APPROVALS	CSA <input checked="" type="checkbox"/>	UL <input checked="" type="checkbox"/>
16A 250V	APPROVALS	VDE <input checked="" type="checkbox"/>	CCC <input checked="" type="checkbox"/>
	CERTIFICATIONS	CE <input checked="" type="checkbox"/>	ROHS <input checked="" type="checkbox"/>
	STANDARDS	IEC 60320 <input checked="" type="checkbox"/>	

ALL DIMENSIONS ARE IN MILLIMETERS



PANEL CUTOUT