

CAT. No.  
**57120**

IEC320 / CEE22 POWER OUTLET, SCREW MOUNT TO PANELS, BLACK, 2 POLE 3 WIRE, 6.3mm (1/4) TABS.

STANDARD: IEC320

10A 250V

APPROVALS / CERT'S.

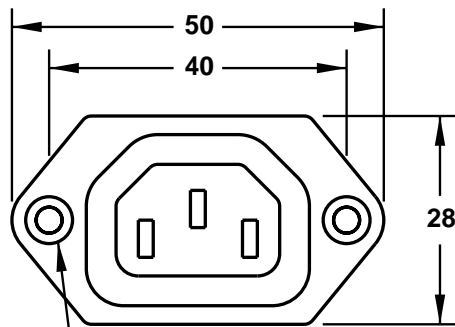
FI  IMQ  KEMA  NEMKO  OVE  SEMKO  SEV  VDE

15A 250V

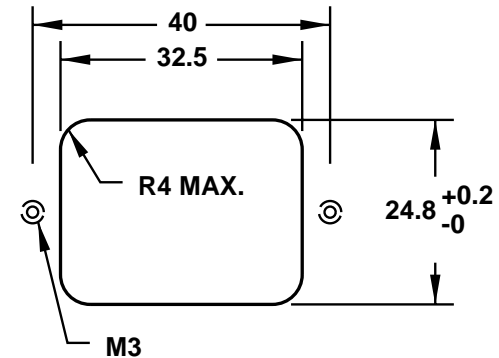
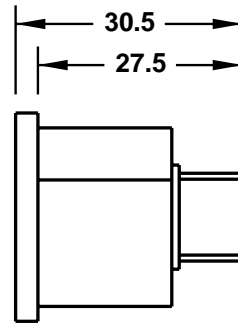
APPROVALS / CERT'S.

CSA  UL

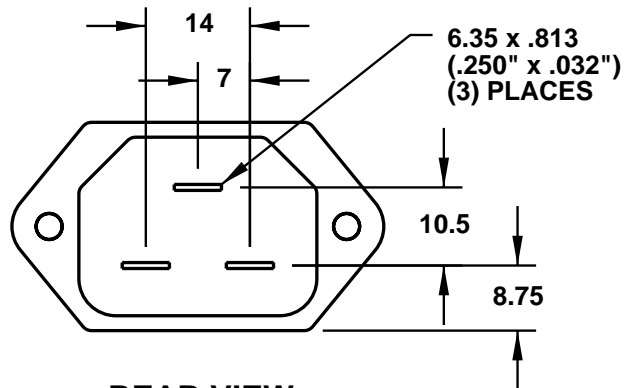
ALL DIMENSIONS ARE IN MILLIMETERS



3.5 DIA. THRU  
6.3 X 90° C'SINK



MOUNTING HOLE



REAR VIEW