

CAT. No.
57130

IEC320 / CEE22 POWER OUTLET, SCREW MOUNT TO PANELS, BLACK, 2 POLE 3 WIRE, SOLDER TABS

STANDARD: IEC320

10A 250V

APPROVALS / CERT'S.

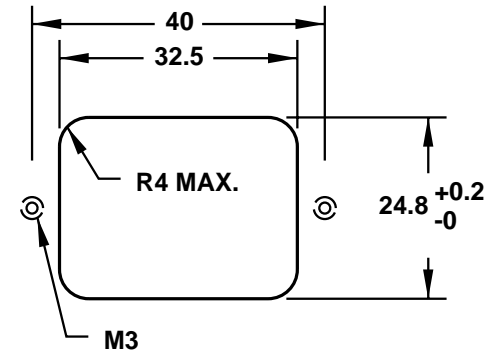
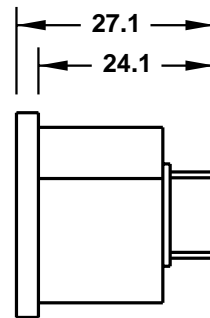
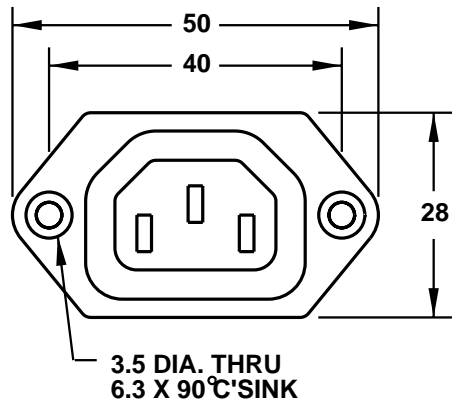
FI IMQ KEMA NEMKO OVE SEMKO SEV VDE

15A 250V

APPROVALS / CERT'S.

CSA UL

ALL DIMENSIONS ARE IN MILLIMETERS



MOUNTING HOLE

