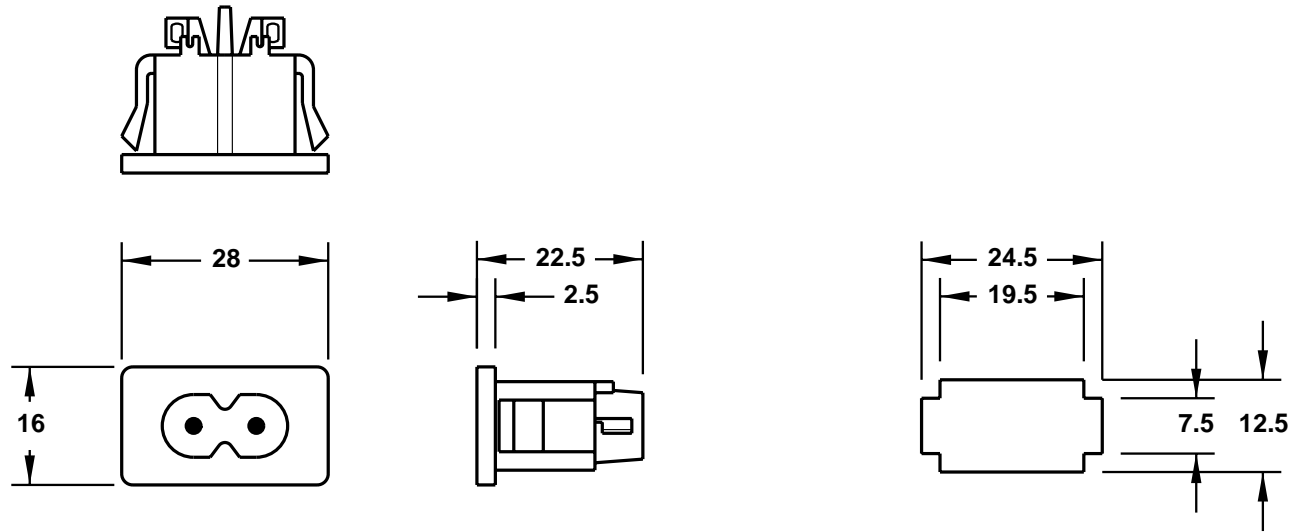


CAT. No.
57703

IEC 320 C-8 POWER INLET, 2.5 AMPS 250 VOLTS, 2 POLE 2 WIRE, SNAP-IN MOUNTING, BLACK,
1.5 X 2.3 MM QUICKCONNECT OR SOLDER TERMINALS.

APPROVALS / CERT'S. CSA NEMKO SEMKO SEV UL VDE

ALL DIMENSIONS ARE IN MILLIMETERS



PANEL CUTOUT