

CAT. No.

57710

IEC 60320 (320) C-14 INLET WITH INTEGRAL SINGLE POLE (SPST) ON/OFF SWITCH. SCREW MOUNT FROM FRONT OR BACK. 0.187"x0.032" (4.8X0.8 mm) QUICK CONNECT TERMINALS. BLACK. UL 94V-0 RATED THERMOPLASTIC BODY.

APPROVALS

CSA SEMKO SEV UL VDE

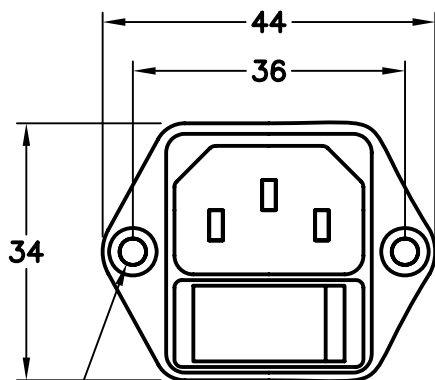
STANDARDS

IEC 60320

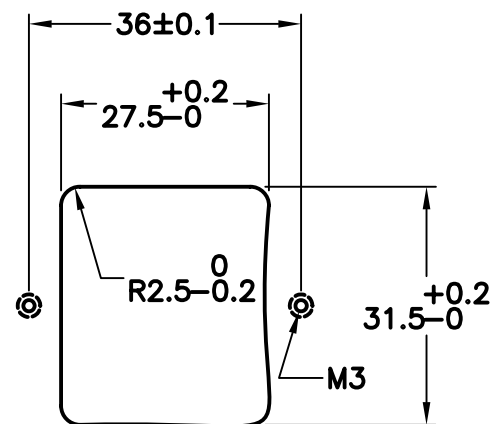
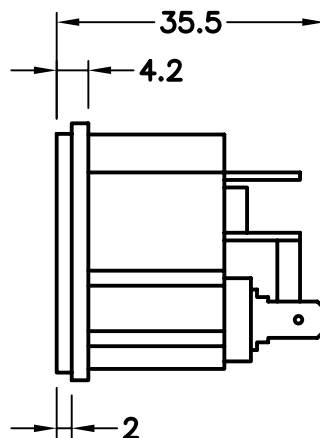
CERTIFICATIONS

ROHS

ALL DIMENSIONS ARE IN MILLIMETERS



3.2 DIA THRU
6.3x90° C'SINK



MOUNTING HOLE