

CAT. No.

57725

IEC 60320 (320) C-14 INLET WITH INTEGRAL DOUBLE POLE (DPST) ON/OFF SWITCH. SNAP-IN MOUNT TO 1.5 mm PANELS. 0.187" x 0.032" (4.8 x 0.8 mm) QUICK CONNECT TERMINALS. BLACK. UL 94V-0 RATED THERMOPLASTIC BODY.

APPROVALS

CSA SEMKO SEV UL VDE

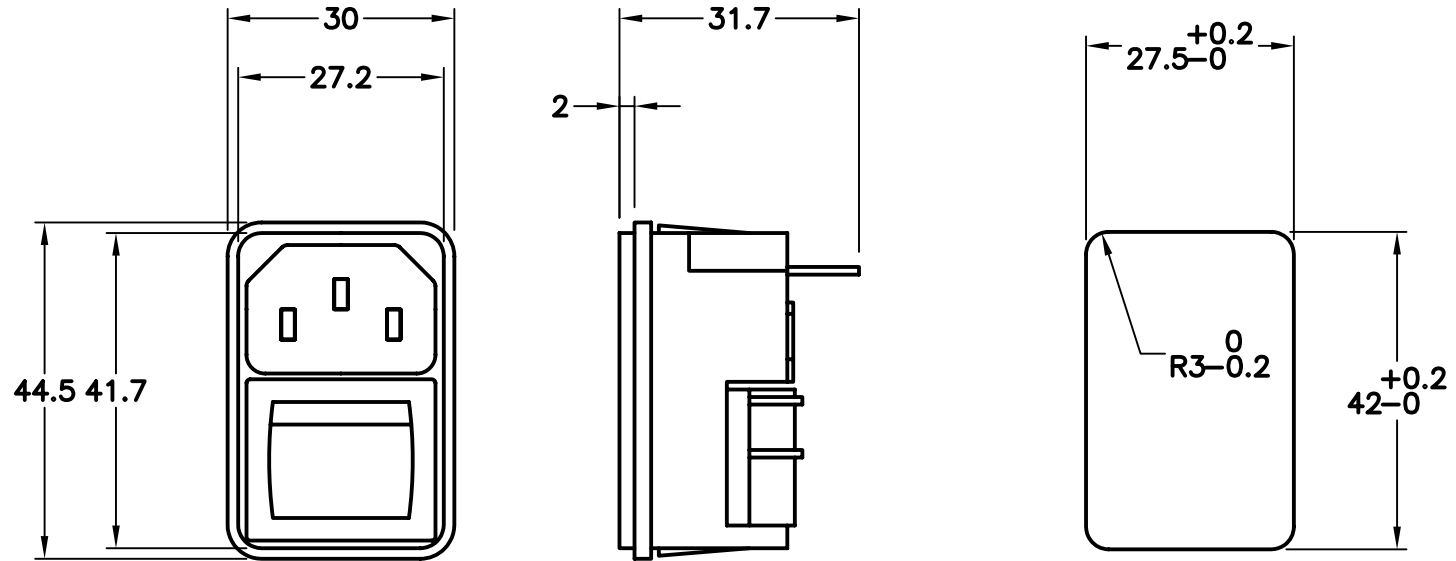
STANDARDS

IEC 60320

CERTIFICATIONS

ROHS

ALL DIMENSIONS ARE IN MILLIMETERS



PANEL CUTOUT