

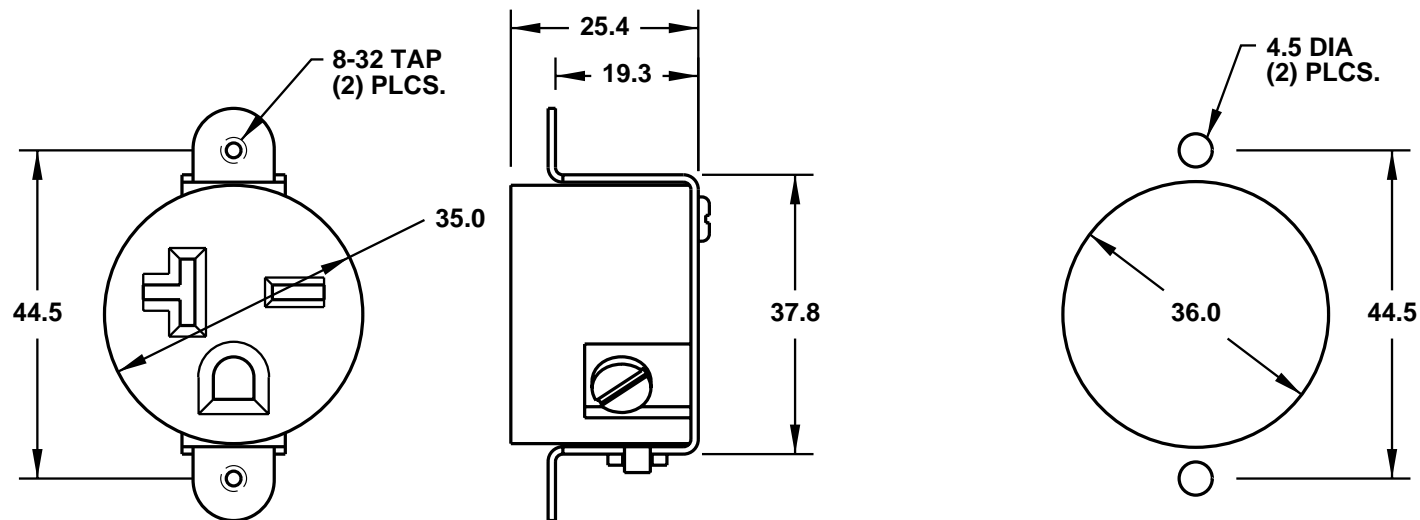
CAT. No.
5858-1

NEMA 6-20R SINGLE RECEPTACLE, IVORY, PANEL MOUNT, SIDE WIRED, 2 POLE 3 WIRE GROUNDING,
20 AMPERE 250 VOLT

APPROVALS / CERT'S.

UL

ALL DIMENSIONS ARE IN MILLIMETERS



CUTOUT FOR
PANEL MOUNTING