

CAT. No.

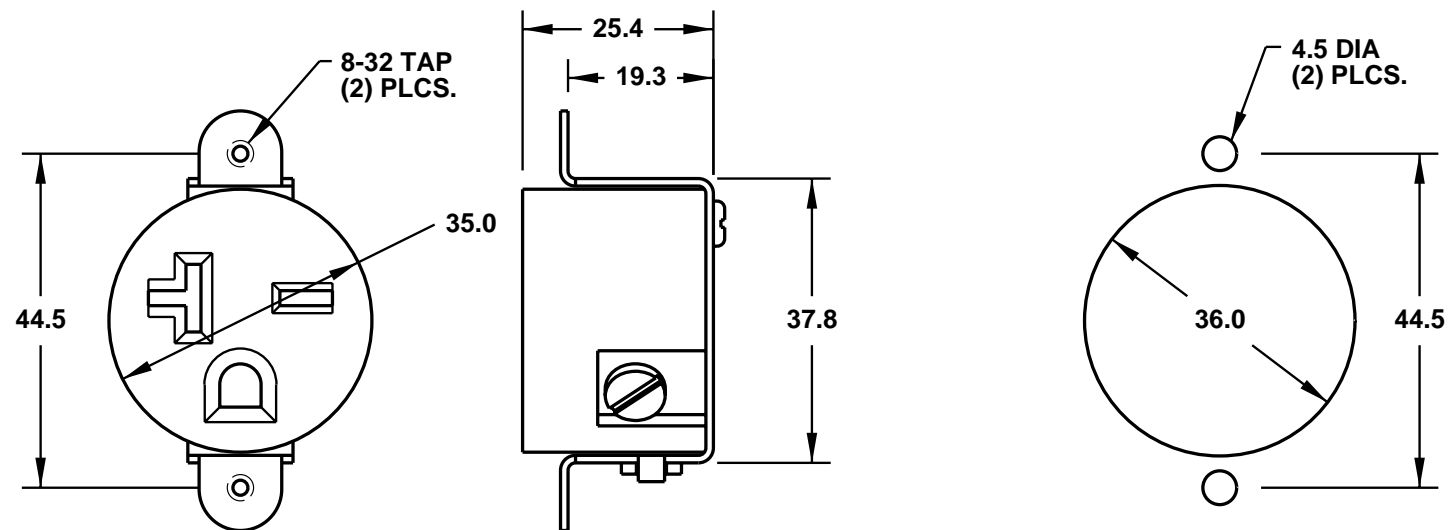
5858

NEMA 6-20R SINGLE RECEPTACLE, BROWN, PANEL MOUNT, SIDE WIRED, 2 POLE 3 WIRE GROUNDING,
20 AMPERE 250 VOLT

APPROVALS / CERT'S.

UL

ALL DIMENSIONS ARE IN MILLIMETERS



CUTOUT FOR
PANEL MOUNTING

www.InternationalConfig.com
sales@internationalconfig.com