

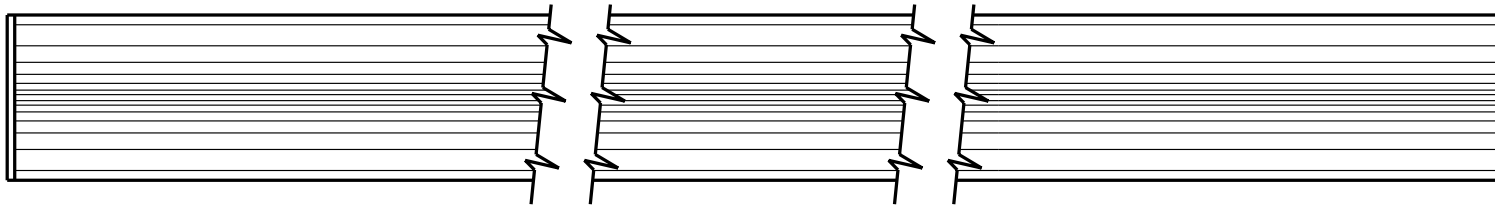
CAT. No.
681485

FLUORESCENT LIGHT FIXTURE, 36 WATTS, 230 VOLTS, 50 HZ, IP44 CLASS 1, WHITE ALUMINUM BASE,
OPAL POLYCARBONATE LENS, LESS LAMP. 1241 mm LONG.
LAMP #702708 REQUIRED.

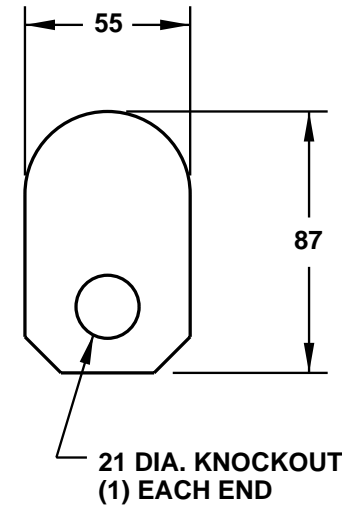
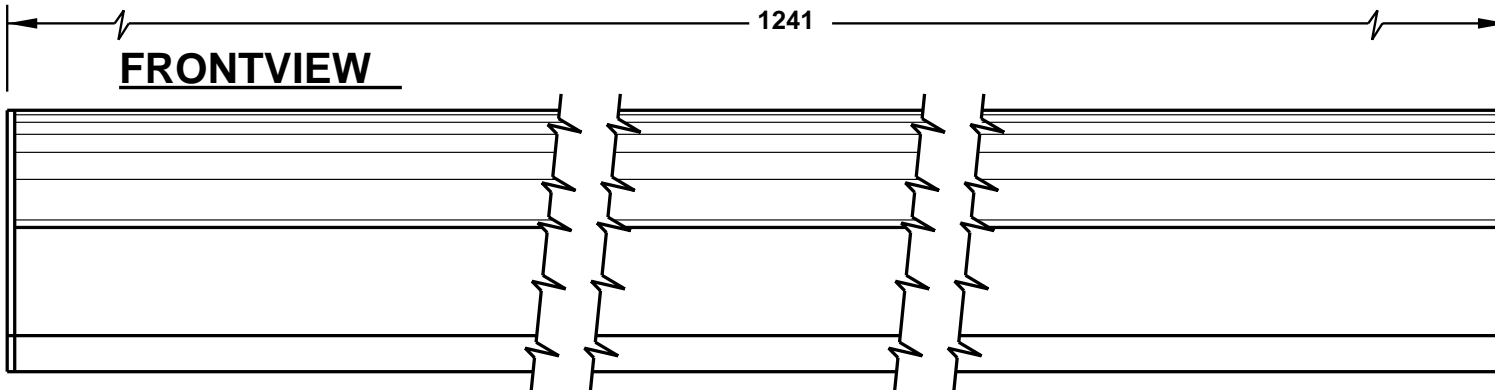
APPROVALS / CERT'S. CE F EN EC

ALL DIMENSIONS ARE IN MILLIMETERS

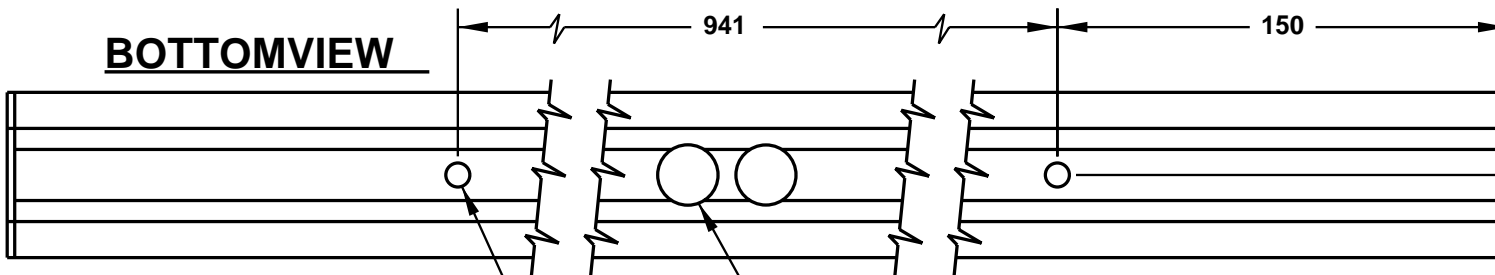
TOPVIEW



FRONTVIEW



BOTTOMVIEW



20 DIAMETER KNOCKOUT
(2) PLACES

8 DIAMETER MOUNTING HOLE
(2) PLACES