

CAT. No.

684585x45

WEATHER PROTECTIVE (IP66 RATED) SPLASHPROOF GASKETED COVER. ACCEPTS ONE 45X45 mm SIZE OR TWO 22.5X22.5 SIZE MODULAR OUTLETS, CIRCUIT BREAKERS, RCD (GFCI) BREAKERS & SWITCHES. WHITE COLOR, CE MARK, RoHS COMPLIANT.

CERTIFICATIONS

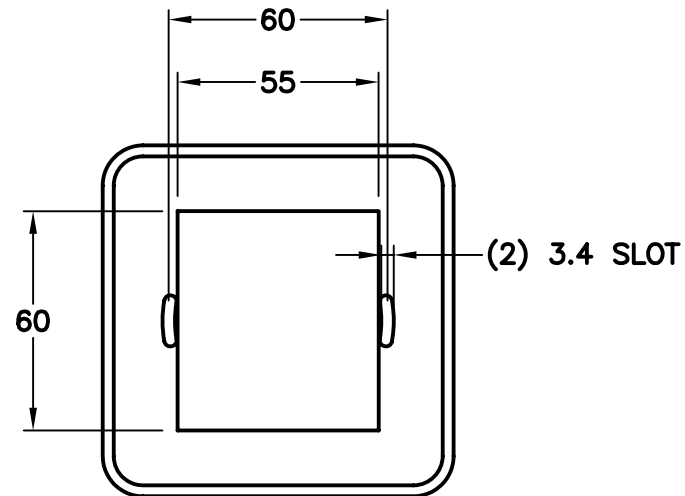
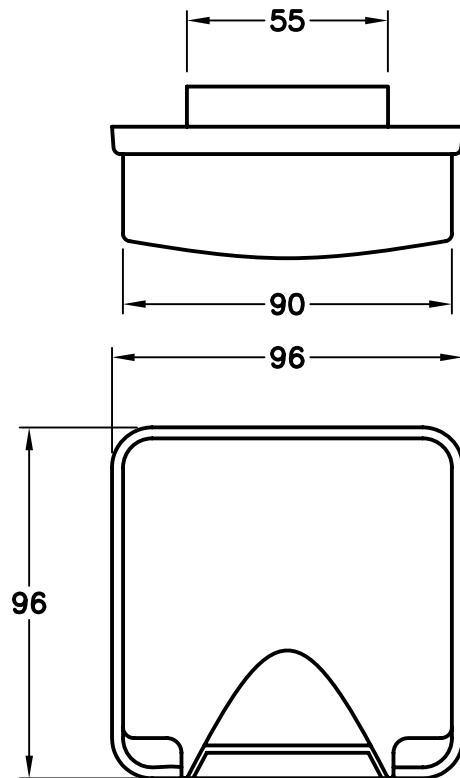
CE MARK  ROHS

ALL DIMENSIONS ARE IN MILLIMETERS

NOTES:

- 55mm X 60mm CUTOUT REQUIRED WHEN COVER IS USED ON SHEET METAL PANELS

- COVER ALSO MOUNTS DIRECT TO FLUSH WALL BOXES #72350-F AND #72350



MOUNTING DIMENSIONS

