

CAT. No.

684628x45

WEATHERPROOF (IP66) GASKETED 2 GANG BOX & COVER, SURFACE MOUNT, ACCEPTS TWO 45x45MM SIZE OR FOUR 22.5x22.5 SIZE MODULAR OUTLETS, CIRCUIT BREAKERS, RCD (GFCI) BREAKERS & SWITCHES. BOX ACCEPTS 1/2" OR 3/4" CONDUIT OR STRAIN RELIEFS ON TOP, BOTTOM, BACK. GRAY. "CE MARK", RoHS COMPLIANT.

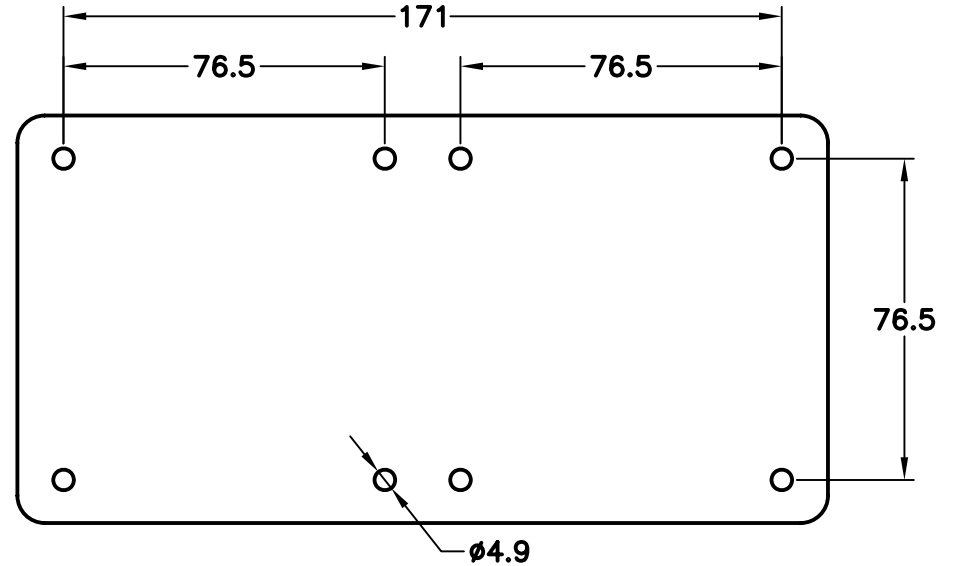
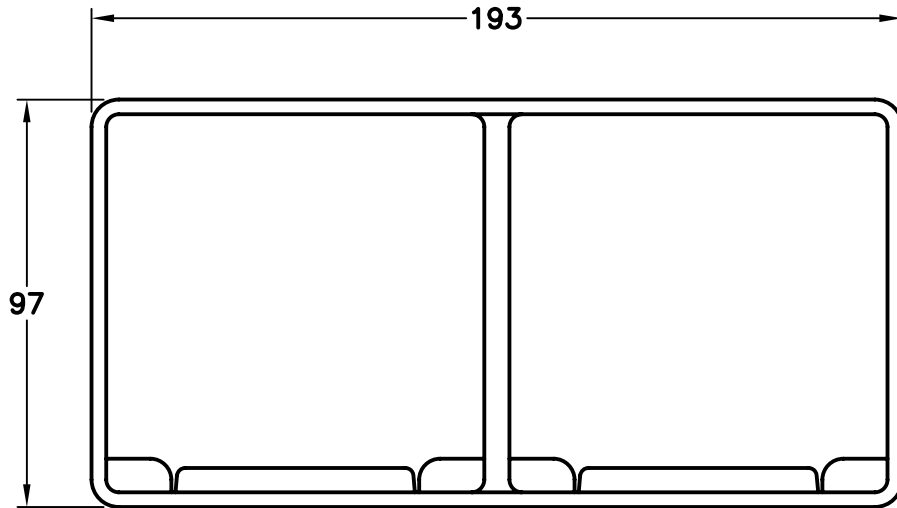
CERTIFICATIONS

ROHS CE MARK

ALL DIMENSIONS ARE IN MILLIMETERS

NOTE:

W.P. COVER CAN BE CLOSED WHEN USED WITH SOME (NOT ALL) DOWN ANGLE PLUGS. ACCEPTS SCHUKO, U.K., AUSTRALIAN, ISRAEL, ARGENTINE, CHINA DOWN ANGLE TYPE PLUGS.



MOUNTING DIMENSIONS

