

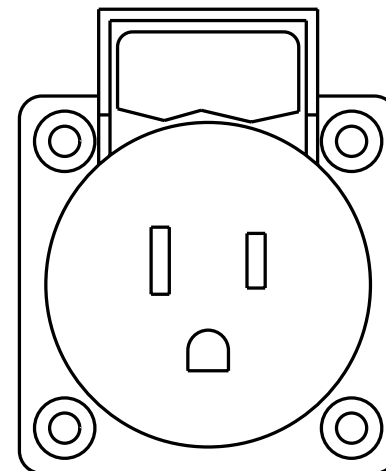
CAT. No.
70020-BLK

**NEMA 5-15R OUTLET, WEATHERPROOF IP 44 RATED, SCREW MOUNT, BLACK, SIDE WIRED,
2 POLE 3 WIRE, 15 AMPERE 125 VOLT
STANDARD: NEMA 5-15**

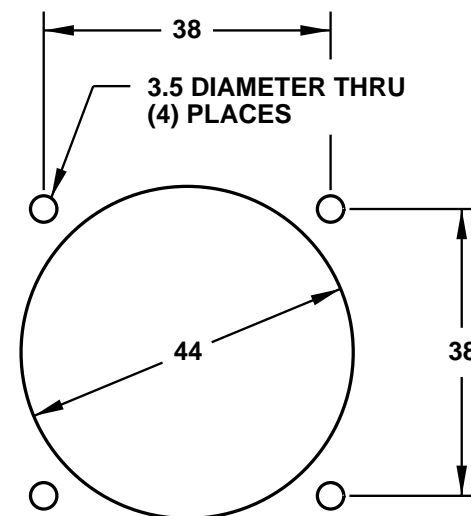
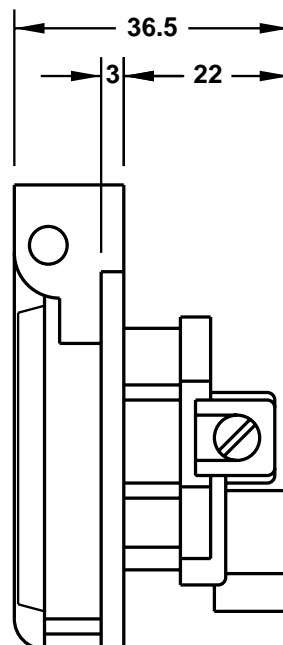
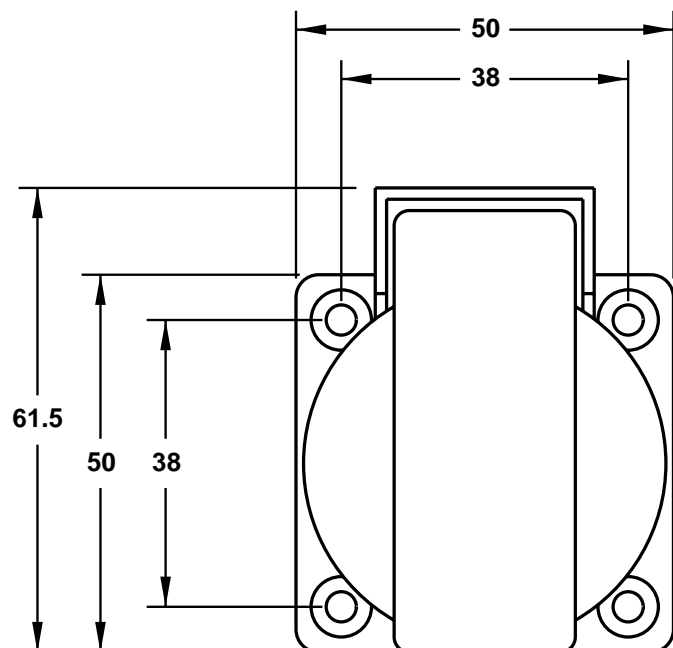
APPROVALS / CERT'S. UL

ALL DIMENSIONS ARE IN MILLIMETERS

www.InternationalConfig.com
sales@internationalconfig.com



**NOTE: FOR CLARITY THIS VIEW IS
SHOWN WITH LIFT LID REMOVED**



**CUTOUT FOR
PANEL MOUNTING**