

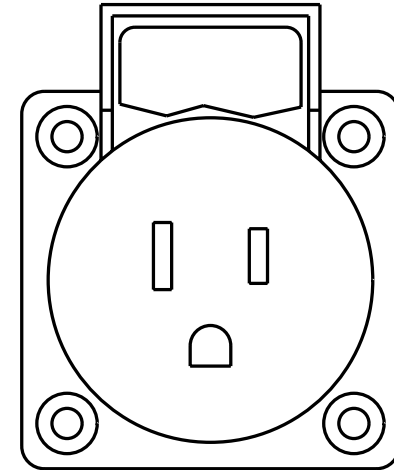
CAT. No.  
**70020-BLU**

**NEMA 5-15R OUTLET, WEATHERPROOF IP 44 RATED, SCREW MOUNT, GREY, SIDE WIRED,  
2 POLE 3 WIRE, 15 AMPERE 125 VOLT  
STANDARD: NEMA 5-15**

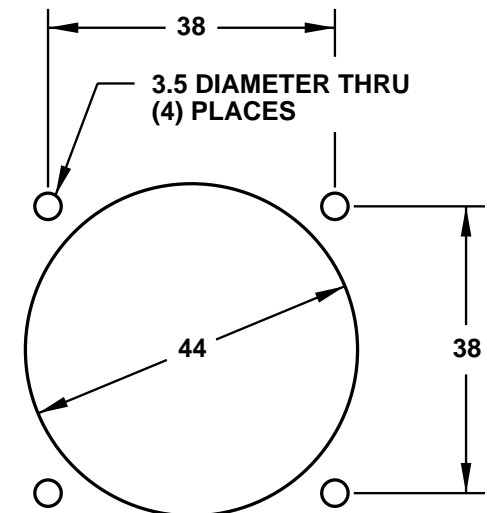
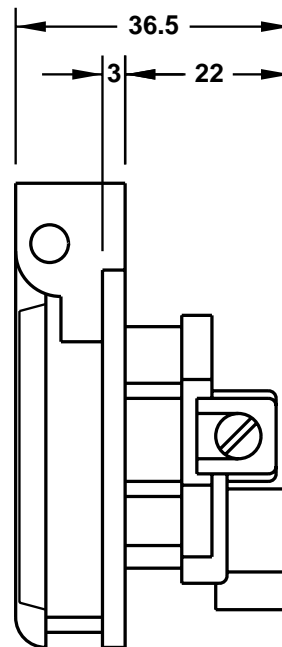
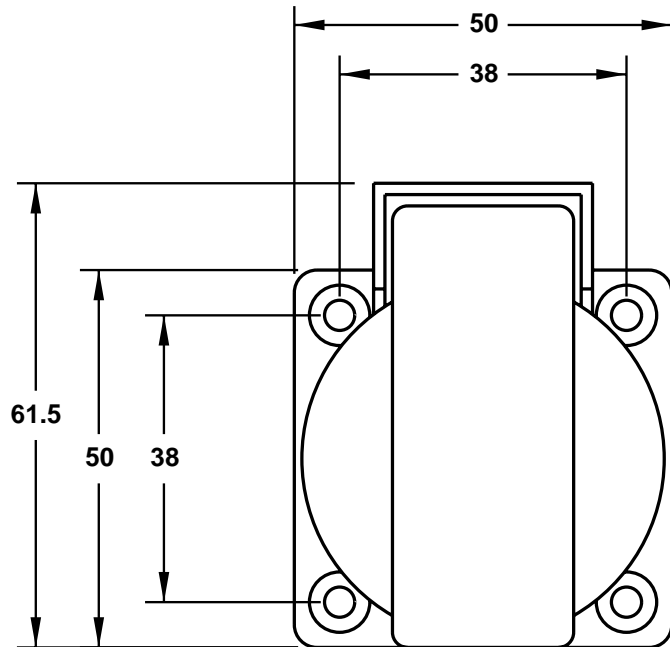
APPROVALS / CERT'S. | UL

**ALL DIMENSIONS ARE IN MILLIMETERS**

[www.InternationalConfig.com](http://www.InternationalConfig.com)  
[sales@internationalconfig.com](mailto:sales@internationalconfig.com)



**NOTE: FOR CLARITY THIS VIEW IS  
SHOWN WITH LIFT LID REMOVED**



**CUTOUT FOR  
PANEL MOUNTING**