

CAT. No.  
**70110BLK**

EUROPEAN "SCHUKO" OUTLET, SCREW MOUNT 52 X 52 MM SIZE, BLACK, 2 POLE 3 WIRE, 16 AMP 250 VOLT,  
(EU1-16R).  
STANDARD:CEE-7

APPROVALS / CERT'S.

IMQ

KEMA

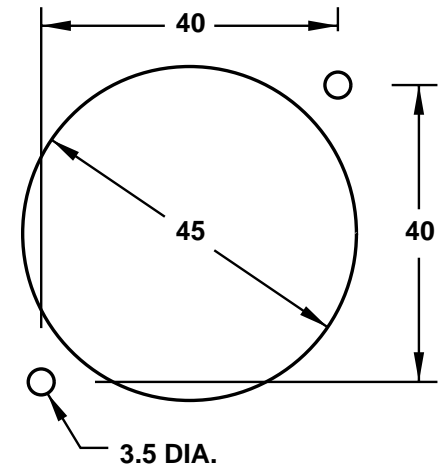
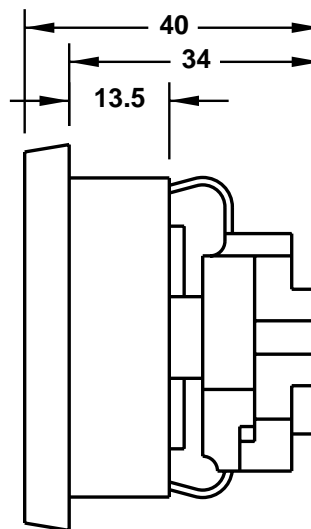
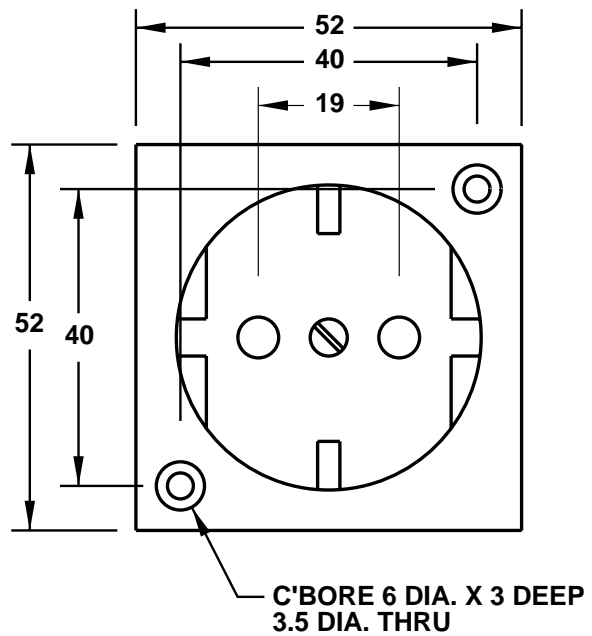
SEMKO

VDE

ALL DIMENSIONS ARE IN MILLIMETERS

NOTE:

1. "SCHUKO" PLUGS AND RECEPTACLES ARE NON-POLARIZED.
2. EQUIPMENT GROUND TERMINAL IS IDENTIFIED WITH  $\text{⊕}$  SYMBOL.



**MOUNTING HOLE**