

CAT. No.
70114


EUROPEAN "SCHUKO" DUPLEX RECEPTACLE, WHITE, FLUSH MOUNT, 2 POLE 3 WIRE, 16 AMPERE 250 VOLT,
(EU1-16R).

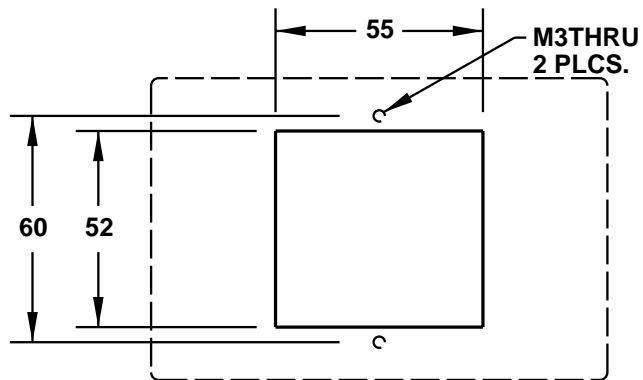
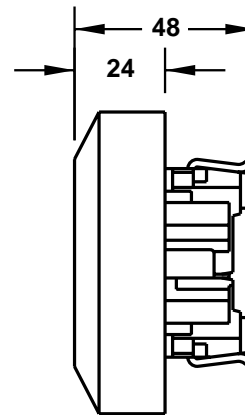
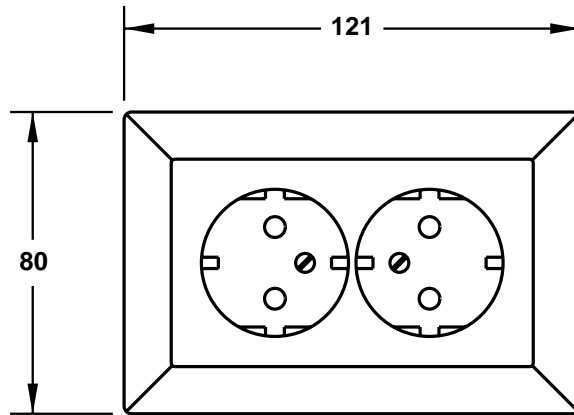
APPROVALS / CERT'S. FI IMQ KEMA NEMKO OVE SEMKO VDE

www.InternationalConfig.com
sales@internationalconfig.com

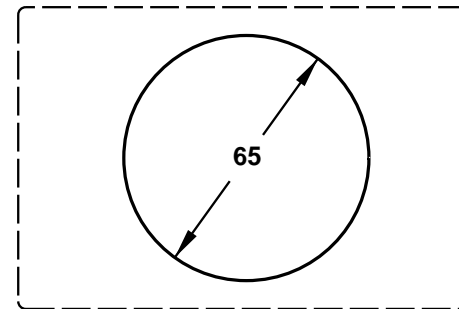
ALL DIMENSIONS ARE IN MILLIMETERS

NOTE:

1. "SCHUKO" PLUGS AND RECEPTACLES ARE NON-POLARIZED.
2. EQUIPMENT GROUND TERMINAL IS IDENTIFIED WITH  SYMBOL.
3. USE WALL BOX P/N 77190 FOR FLUSH WALL MOUNTING (SEE MOUNTING ARRANGEMENT NO.2).



MOUNTING ARRANGEMENT NO.1
CUTOUT FOR PANEL MOUNTING



MOUNTING ARRANGEMENT NO.2
CUTOUT FOR WALL MOUNTING ON
SHEETROCK AND WOODEN PANELS