

CAT. No.

70115

EUROPEAN "SCHUKO" SURFACE MOUNT SINGLE OUTLET, IVORY, 16 AMPERE 250 VOLT, 2 POLE 3 WIRE, (EU1-16R)

APPROVALS

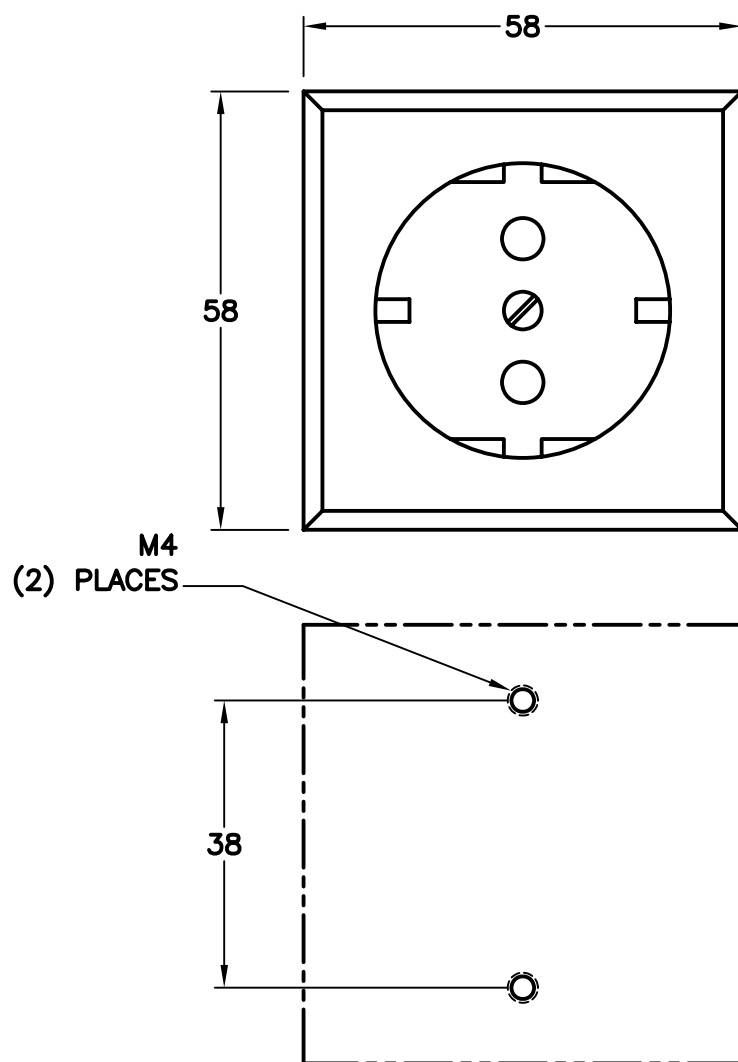
KEMA SEMKO VDE

CERTIFICATIONS

ROHS

STANDARDS

CEE 7/7 DIN 49440



M4
(2) PLACES

MOUNTING ARRANGEMENT

ALL DIMENSIONS ARE IN MILLIMETERS

NOTE: ORDER INSULATING BACK PLATE No. 1491-008 WHEN MOUNTING OUTLET TO A METAL SURFACE

NOTE:

1. "SCHUKO" PLUGS AND RECEPTACLES ARE NON-POLARIZED.
2. EQUIPMENT GROUND TERMINAL IS IDENTIFIED WITH \perp SYMBOL.