

CAT. No.

70118

EUROPEAN "SCHUKO" SURFACE MOUNT QUAD OUTLET, IVORY, 16 AMPERE 250 VOLT, 2 POLE 3 WIRE, (EU1-16R)

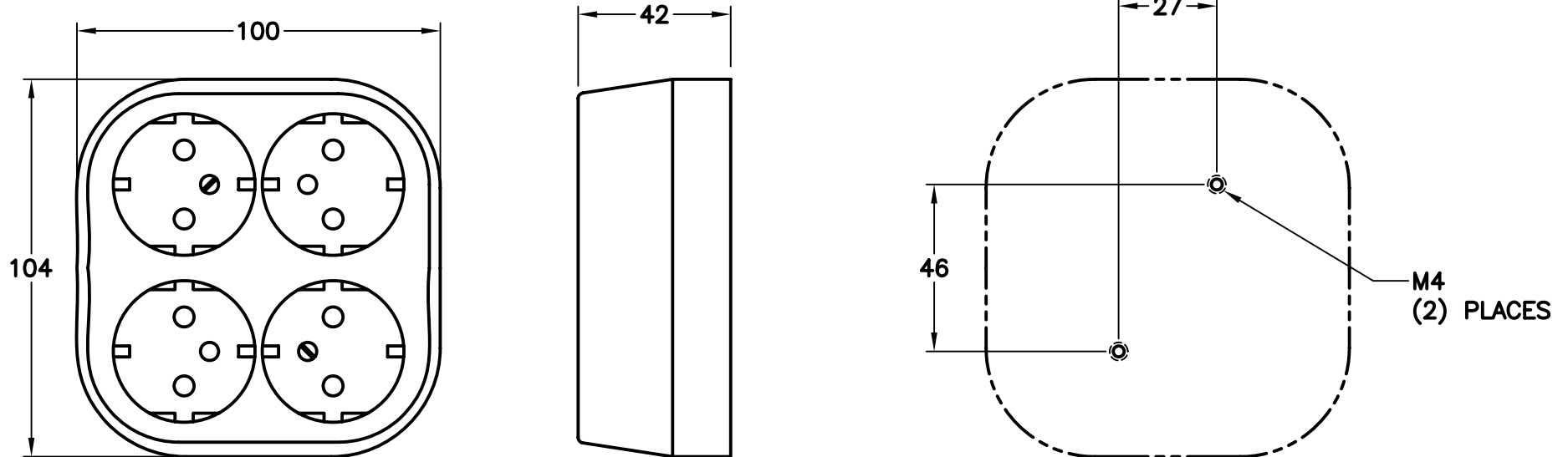
APPROVALS	CEBEC <input checked="" type="checkbox"/>	KEMA <input checked="" type="checkbox"/>	SEMKO <input checked="" type="checkbox"/>	VDE <input checked="" type="checkbox"/>
CERTIFICATIONS	ROHS <input checked="" type="checkbox"/>			
STANDARDS	CEE 7/7 <input checked="" type="checkbox"/>	DIN 49440 <input checked="" type="checkbox"/>		

ALL DIMENSIONS ARE IN MILLIMETERS

**NOTE:** ORDER INSULATING BACK PLATE No. 0004-060 WHEN MOUNTING OUTLET TO A METAL SURFACE

**NOTE:**

1. "SCHUKO" PLUGS AND RECEPTACLES ARE NON-POLARIZED.
2. EQUIPMENT GROUND TERMINAL IS IDENTIFIED WITH  $\frac{\text{⊗}}{\text{⊕}}$  SYMBOL.



**MOUNTING ARRANGEMENT**