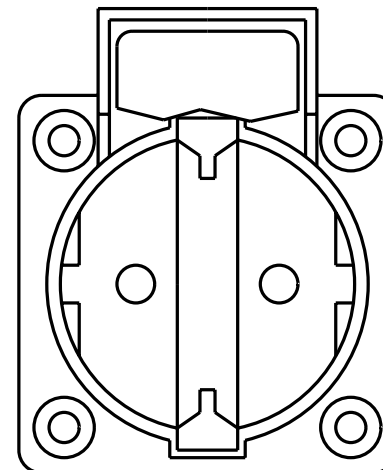


CAT. No.
70120-BLK

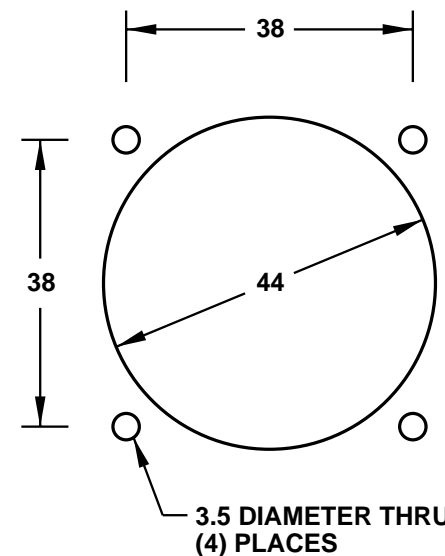
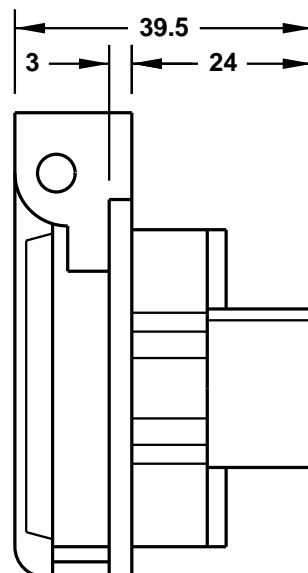
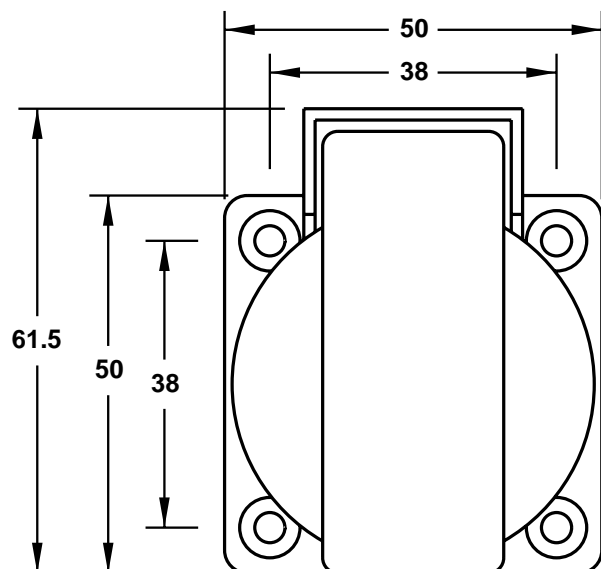
EUROPEAN "SCHUKO" OUTLET, WEATHERPROOF IP 54 RATED, SCREW MOUNT, BLACK,
2 POLE 3 WIRE, 16 AMPERE 250 VOLT, (EU1-16R).
STANDARD: CEE 7 - 7

APPROVALS / CERT'S. FI KEMA NEMKO OVE SEMKO VDE

ALL DIMENSIONS ARE IN MILLIMETERS



NOTE: FOR CLARITY THIS VIEW IS SHOWN WITH LIFT LID REMOVED



PANEL CUTOUT

www.InternationalConfig.com
sales@internationalconfig.com