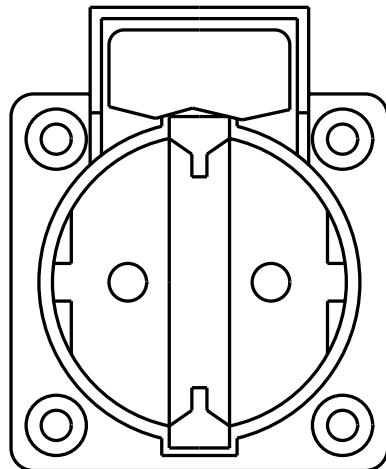


CAT. No.  
**70120**

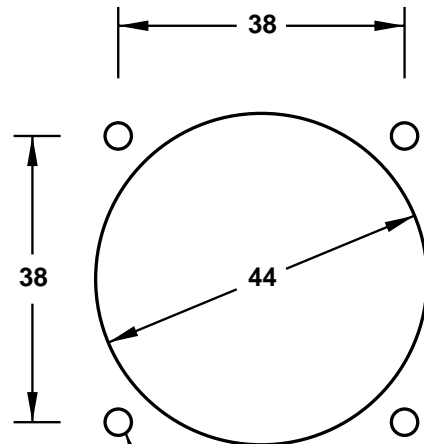
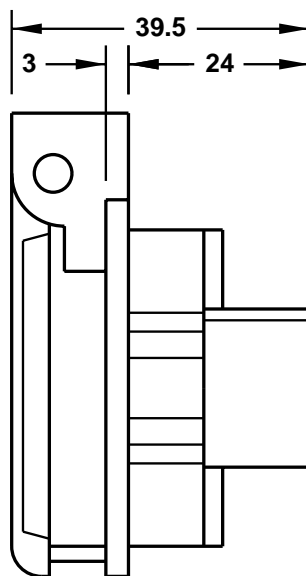
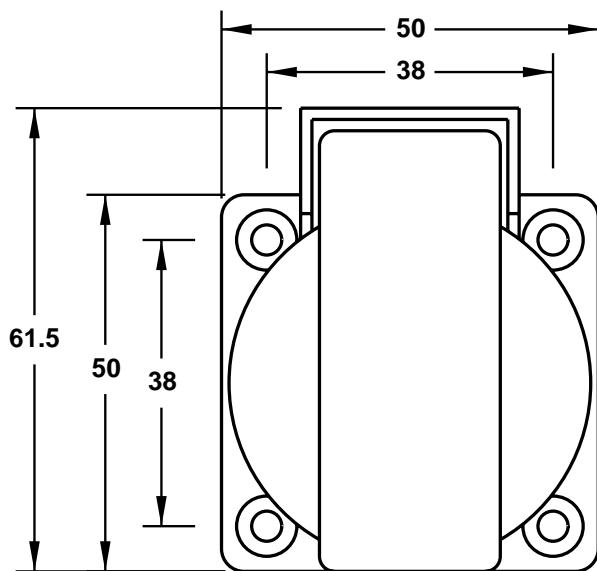
EUROPEAN "SCHUKO" OUTLET, WEATHERPROOF IP 54 RATED, SCREW MOUNT, GREY,  
2 POLE 3 WIRE, 16 AMPERE 250 VOLT, (EU1-16R)  
STANDARD: CEE 7 - 7

APPROVALS / CERT'S.  FI  KEMA  NEMKO  OVE  SEMKO  VDE

ALL DIMENSIONS ARE IN MILLIMETERS



NOTE: FOR CLARITY THIS VIEW IS SHOWN WITH LIFT LID REMOVED



3.5 DIAMETER THRU  
(4) PLACES

**PANEL CUTOUT**

www.InternationalConfig.com  
sales@internationalconfig.com