

CAT. No.

70130-BLK

EUROPEAN "SCHUKO" ANGLE PLUG, BLACK, 2 POLE 3 WIRE, 16 AMPERE 250 VOLT, (EU 1-16P)

STANDARD: CEE 7 - 7

APPROVALS / CERT'S.

CEBEC

VDE

ALL DIMENSIONS ARE IN MILLIMETERS

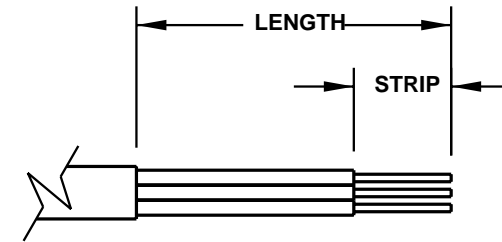
NOTE:

1. "SCHUKO" PLUGS AND RECEPTACLES ARE NON-POLARIZED.
2. EQUIPMENT GROUND TERMINAL IS IDENTIFIED WITH  SYMBOL.

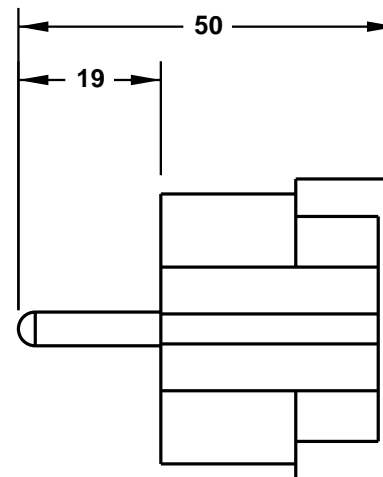
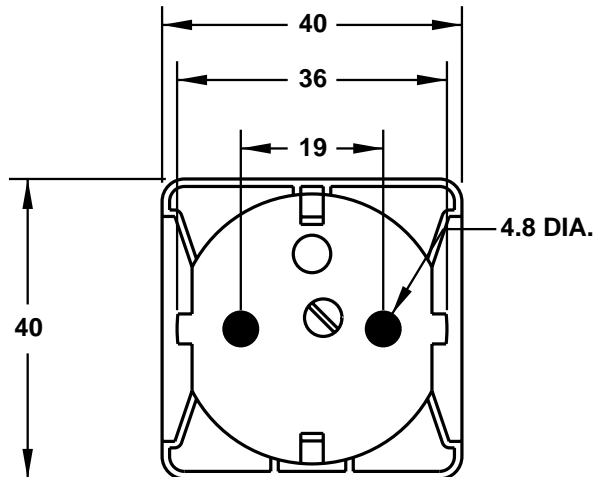
MAXIMUM JACKET O.D. ACCEPTED BY EXTERNAL STRAIN RELIEF = 9 DIA (0.354")
 MAXIMUM JACKET O.D. ACCEPTED BY INTERNAL STRAIN RELIEF = 11 DIA (0.433")
 MAXIMUM CONDUCTOR SIZE ACCEPTED BY TERMINALS = 4.0 (12 AWG)

CORDAGE PREPARATION

CONDUCTOR INSULATION COLOR	CONDUCTOR COLOR CODE	"LENGTH"	"STRIP"
GREEN / YELLOW	GROUND	25	8
BLUE	NEUTRAL	30	8
BROWN	LINE	30	8



CORDAGE PREPARATION



www.InternationalConfig.com
sales@internationalconfig.com