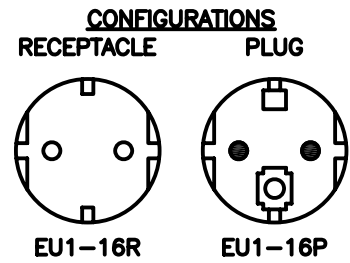


CAT. No.

70150

EUROPEAN "SCHUKO" CEE 7/7, DIN 49441, STRAIGHT RUBBER PLUG, (IP44 SPLASHPROOF), BLACK, 2 POLE 3 WIRE, 16A-250V, (EU1-16P). APPROVALS= VDE, CEBC, OVE, KEMA, NEMKO, SEMKO, GOST(RUSSIA), RoHS.

APPROVALS	CEBEC <input checked="" type="checkbox"/>	KEMA <input checked="" type="checkbox"/>	NEMKO <input checked="" type="checkbox"/>	OVE <input checked="" type="checkbox"/>	SEMKO <input checked="" type="checkbox"/>	VDE <input checked="" type="checkbox"/>	GOST <input checked="" type="checkbox"/>
STANDARDS	CEE 7/7 <input checked="" type="checkbox"/>	DIN 49441 <input checked="" type="checkbox"/>					
CERTIFICATIONS	ROHS <input checked="" type="checkbox"/>						



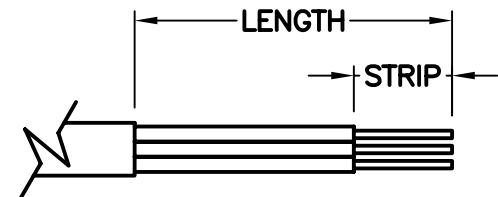
16 AMPERE 250 VOLT EUROPEAN "SCHUKO" Receptacle and plug. Non-Polarized. 4.8 mm pins. Receptacle CEE 7. Plug CEE 7-7.

NOTE:

- "SCHUKO" PLUGS AND RECEPTACLES ARE NON-POLARIZED.
- EQUIPMENT GROUND TERMINAL IS IDENTIFIED WITH \perp SYMBOL.

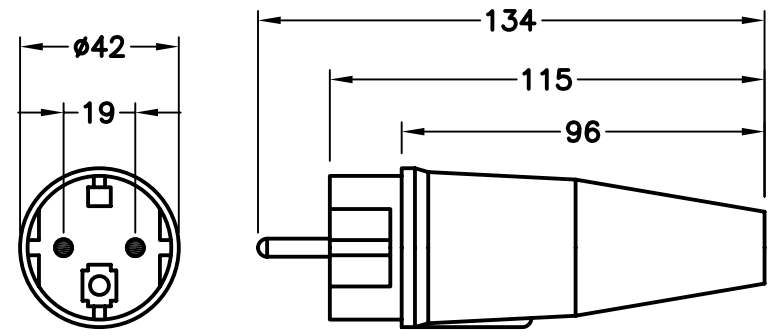
MAXIMUM JACKET O.D. ACCEPTED BY EXTERNAL STRAIN RELIEF = 13 DIA (0.512")
 MAXIMUM JACKET O.D. ACCEPTED BY INTERNAL STRAIN RELIEF = 13 DIA (0.512")
 MAXIMUM CONDUCTOR SIZE ACCEPTED BY TERMINALS = 4.0 (12 AWG)

CORDAGE PREPARATION			
CONDUCTOR INSULATION COLOR	CONDUCTOR COLOR CODE	"LENGTH"	"STRIP"
GREEN/YELLOW	GROUND	35	10
BLUE	NEUTRAL	35	10
BROWN	LINE	35	10



CORDAGE PREPARATION

ALL DIMENSIONS ARE IN MILLIMETERS



EU1-16P
CEE 7/7 DIN 49441