

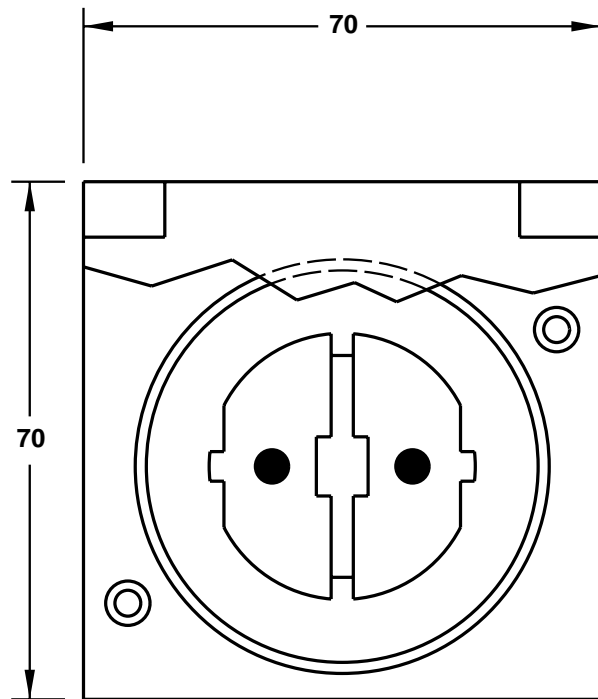
CAT. No.  
**70195**

EUROPEAN "SCHUKO" INLET, WHITE, LIFT LID, 2 POLE 3 WIRE, 16 AMPERE 250 VOLT, (EU1-16P)

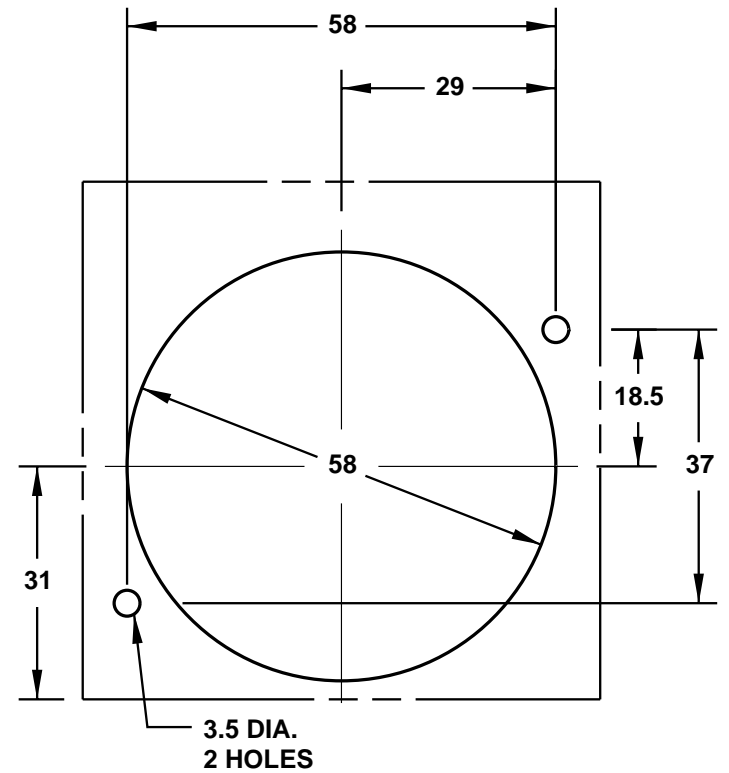
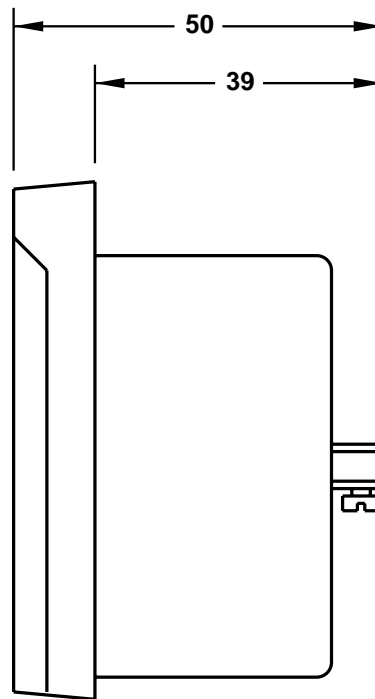
APPROVALS / CERT'S.

VDE

ALL DIMENSIONS ARE IN MILLIMETERS



NOTE: THIS VIEW SHOWN WITH LIFT LID BROKEN FOR CLARITY.



**MOUNTING HOLE**