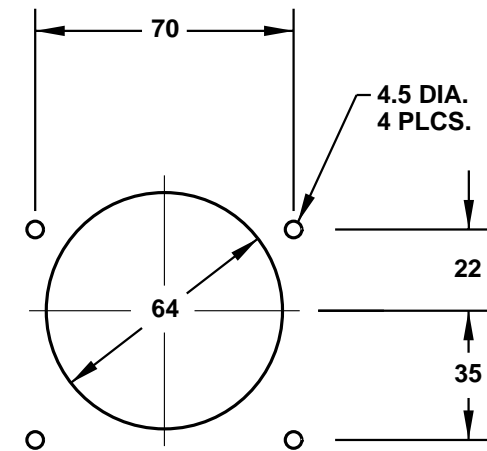
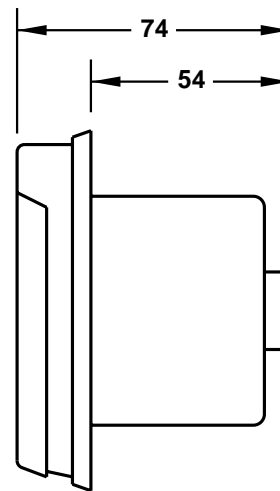
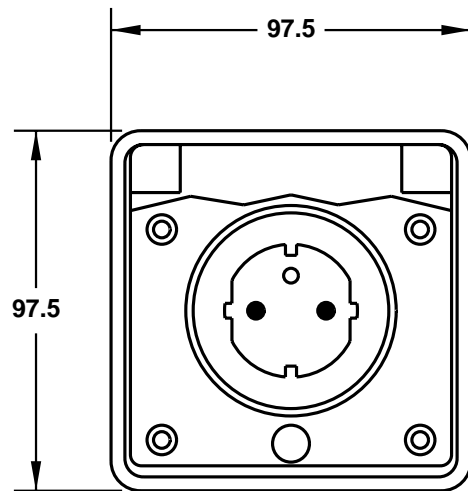


CAT. No.  
**70198**

HULL INLET, FLUSH MOUNT WITH LIFT LID, WHITE, GASKETED, FUSED DESIGN WITH SAFETY COVER ON REAR OF UNIT, 2 POLE 3 WIRE, 16 AMPERE 250 VOLT, (EU1-16P)  
STANDARD: DIN 49440

APPROVALS / CERT'S. IMQ  VDE

ALL DIMENSIONS ARE IN MILLIMETERS



NOTE: THIS VIEW SHOWN WITH LIFT LID BROKEN FOR CLARITY.

**MOUNTING ARRANGEMENT**