

CAT. No.  
**70341**

EUROPEAN "SCHUKO" (EU1-16P TYPE) CEE 7 WATERTIGHT (IP68) PLUG, BLUE, 2 POLE 3 WIRE,  
16 AMPERE 250 VOLT.  
STANDARD: DIN 49442 / 443

APPROVALS / CERT'S.

VDE

ALL DIMENSIONS ARE IN MILLIMETERS

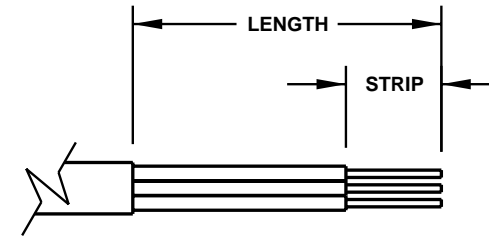
**NOTE:**

1. "SCHUKO" PLUGS AND RECEPTACLES ARE NON-POLARIZED.
2. EQUIPMENT GROUND TERMINAL IS IDENTIFIED WITH  $\perp$ -SYMBOL.

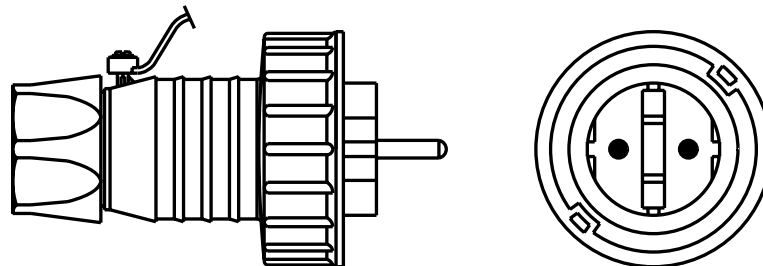
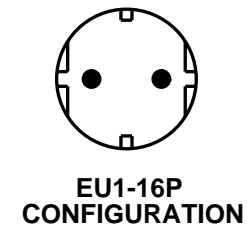
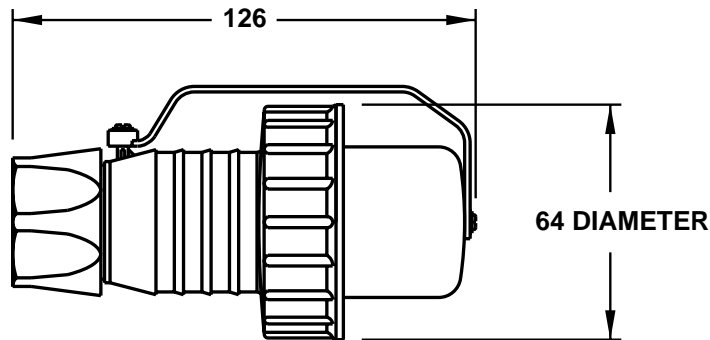
MAXIMUM JACKET O.D. ACCEPTED BY EXTERNAL STRAIN RELIEF = 14 DIA (0.551")  
MAXIMUM JACKET O.D. ACCEPTED BY INTERNAL STRAIN RELIEF = 14 DIA (0.551")  
MAXIMUM CONDUCTOR SIZE ACCEPTED BY TERMINALS = 4.0 (12 AWG)

**CORDAGE PREPARATION**

CONDUCTOR INSULATION COLOR	CONDUCTOR COLOR CODE	"LENGTH"	"STRIP"
GREEN / YELLOW	GROUND	25	10
BLUE	NEUTRAL	25	10
BROWN	LINE	25	10



**CORDAGE PREPARATION**



FOR CLARITY THIS VIEW IS  
SHOWN WITHOUT COVER