

CAT. No.
70395

EUROPEAN "SCHUKO" CEE-7 (EU1-16P TYPE) WATERTIGHT (IP68) FLANGED INTLET, PANEL OR BOX MOUNT, BLUE
2 POLE 3 WIRE, 16 AMPERE 250 VOLT.
STANDARD: DIN 49442 / 443

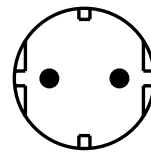
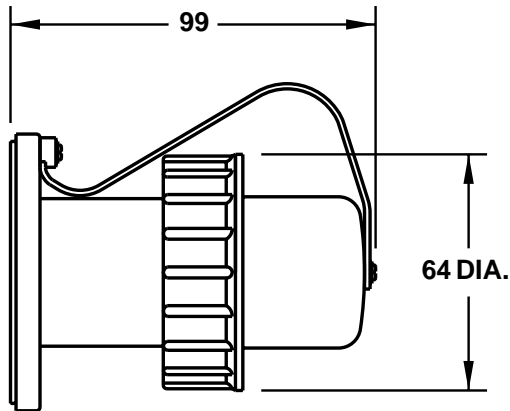
APPROVALS / CERT'S.

VDE

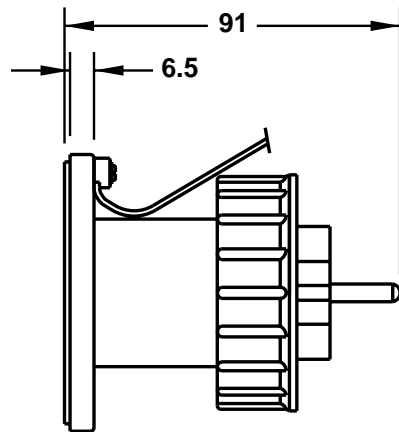
ALL DIMENSIONS ARE IN MILLIMETERS

NOTE:

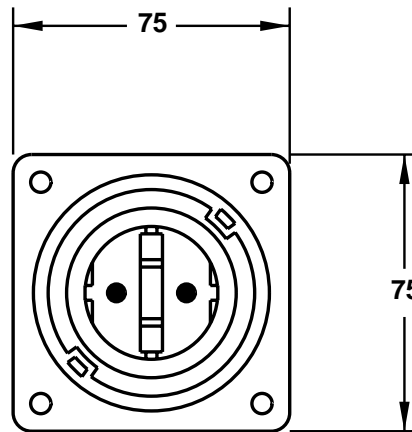
1. "SCHUKO" PLUGS AND RECEPTACLES ARE NON-POLARIZED.
2. EQUIPMENT GROUND TERMINAL IS IDENTIFIED WITH \perp SYMBOL.



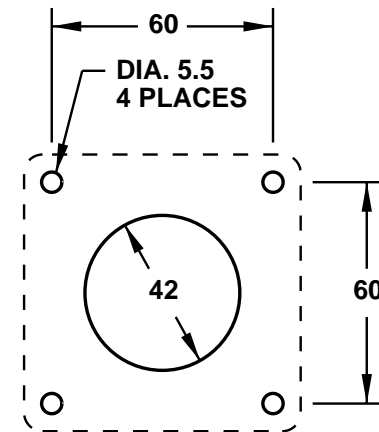
EU1-16P
CONFIGURATION



FOR CLARITY THIS VIEW IS
SHOWN WITHOUT COVER



FOR CLARITY THIS VIEW IS
SHOWN WITHOUT COVER



CUTOUT FOR
PANEL MOUNTING