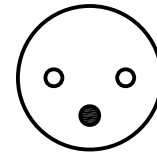


CAT. No.
71120

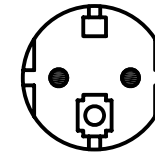
FRENCH OUTLET, WEATHERPROOF IP54 RATED, SHUTTERED CONTACTS, SCREW MOUNTED TYPE, GREY, 2 POLE 3 WIRE, 16 AMPERE 250 VOLT, (FR1-16R)

APPROVALS
CEBEC NF
CERTIFICATIONS
ROHS

CONFIGURATIONS
RECEPTACLE PLUG

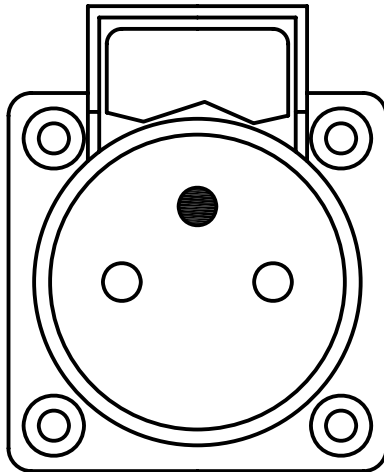


FR1-16R



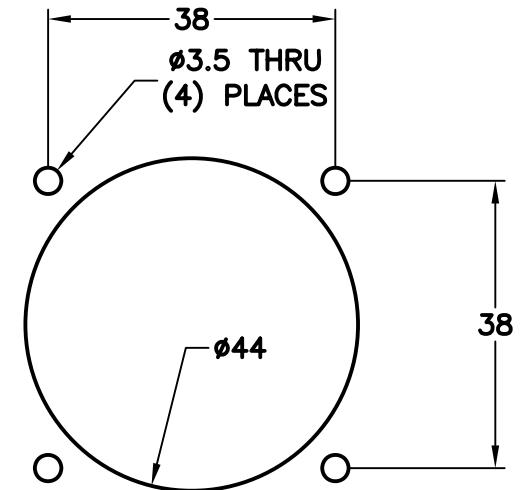
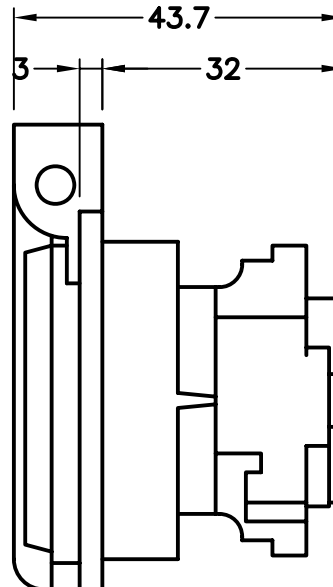
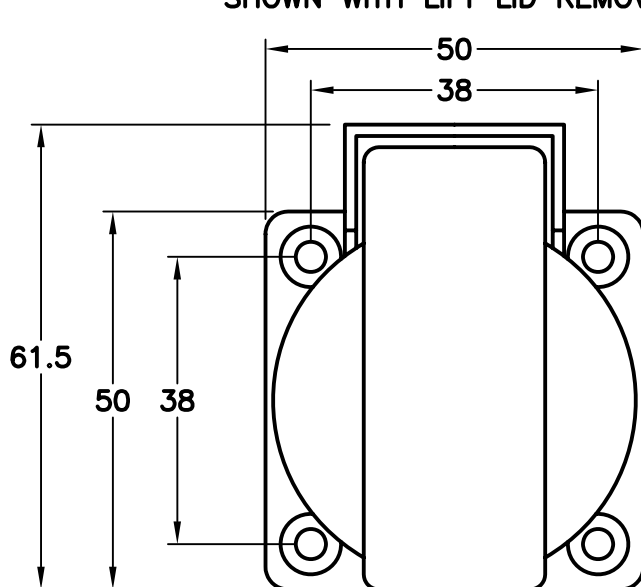
EU1-16P

16 AMPERE 250 VOLT
FRENCH
Receptacle grounding pin
polarizes CEE 7-7 plug.
4.8 mm pins.



ALL DIMENSIONS ARE IN MILLIMETERS

NOTE: FOR CLARITY THIS VIEW IS SHOWN WITH LIFT LID REMOVED



PANEL CUTOUT