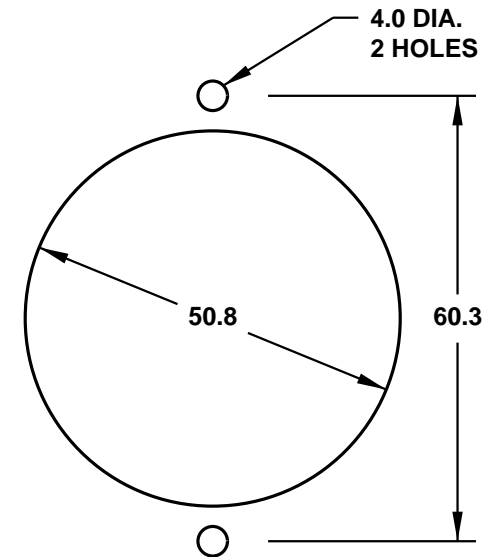
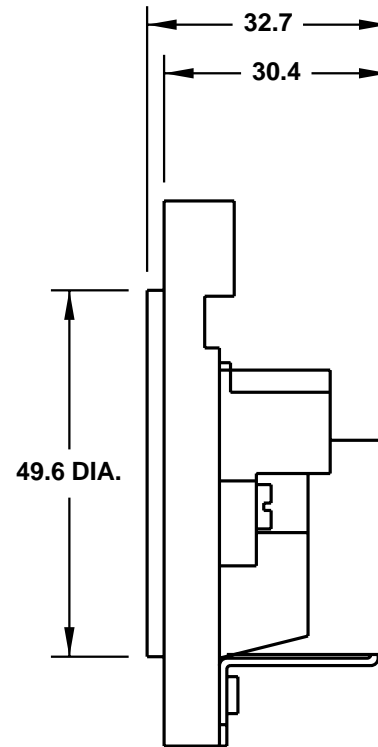
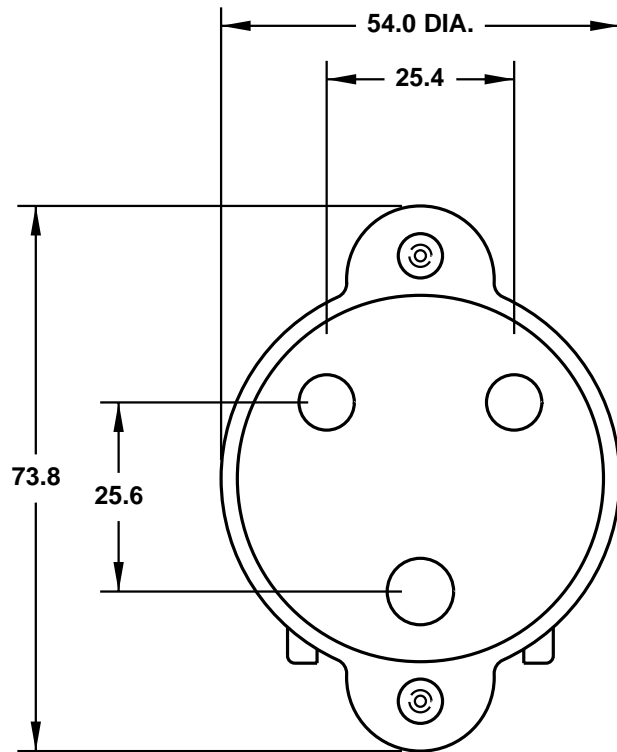


CAT. No.
73210

UNITED KINGDOM OUTLET, SCREW MOUNTING, WHITE, 2 POLE 3 WIRE, 15 AMPERE 250 VOLT, (UK2-15R)

STANDARD:BS546

ALL DIMENSIONS ARE IN MILLIMETERS



**CUTOUT FOR
PANEL MOUNTING**