

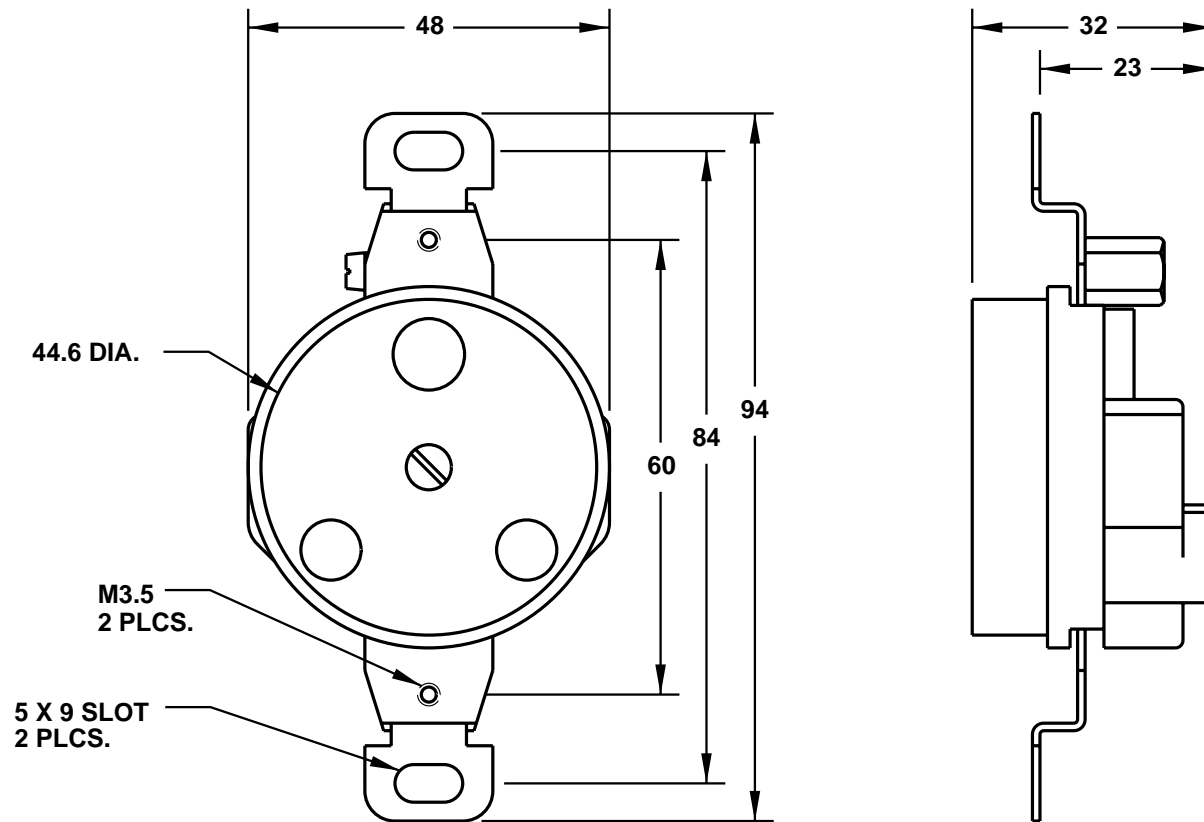
CAT. No.  
**73550**

**SOUTH AFRICAN OUTLET, SCREW MOUNT, IVORY, 2 POLE 3 WIRE, 16 AMPERE 250 VOLT, (UK2-15R),  
44.6 mm / 1.756 INCH DIAMETER FACE**

APPROVALS / CERT'S.

SABS

**ALL DIMENSIONS ARE IN MILLIMETERS**



[www.InternationalConfig.com](http://www.InternationalConfig.com)  
[sales@internationalconfig.com](mailto:sales@internationalconfig.com)