

CAT. No.
74131

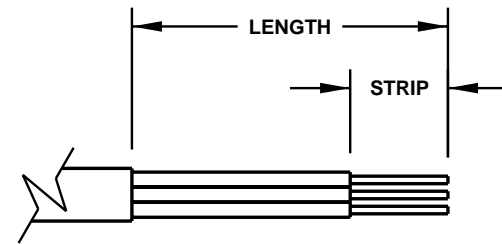
**AUSTRALIAN PLUG (INSULATED LINE/NEUTRAL BLADES), ANGLE CORD GRIP, CLEAR, 2 POLE 3 WIRE
GROUNDING, 10 AMPERE 250 VOLT, (AU 1-10P).
STANDARD: AS/NZS 3112**

APPROVALS: DEPARTMENT OF FAIR TRADING

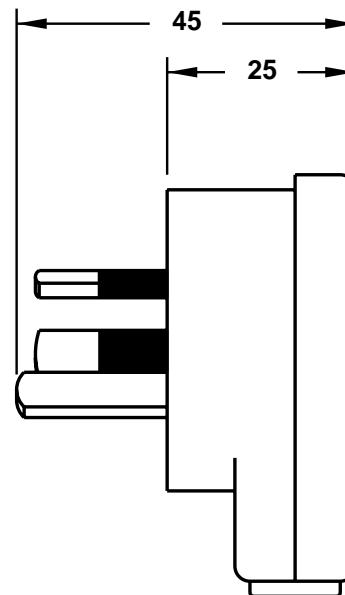
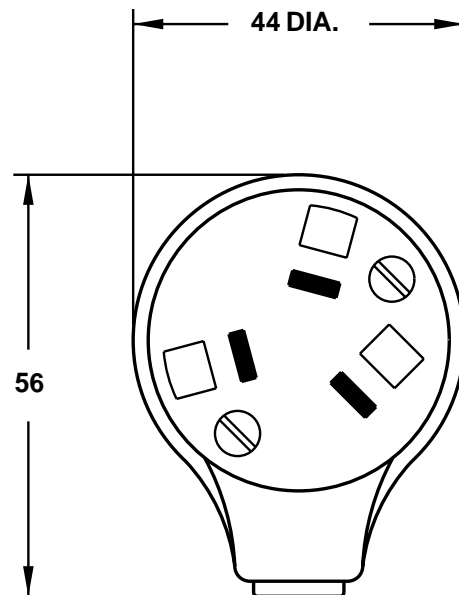
ALL DIMENSIONS ARE IN MILLIMETERS

MAXIMUM JACKET O.D. ACCEPTED BY EXTERNAL STRAIN RELIEF = 6 DIA (0.236")
 MAXIMUM JACKET O.D. ACCEPTED BY INTERNAL STRAIN RELIEF = 6 DIA (0.236")
 MAXIMUM CONDUCTOR SIZE ACCEPTED BY TERMINALS = 2.5 (14 AWG)

CORDAGE PREPARATION			
<u>CONDUCTOR INSULATION COLOR</u>	<u>CONDUCTOR COLOR CODE</u>	<u>"LENGTH"</u>	<u>"STRIP"</u>
GREEN / YELLOW	GROUND	40	9
BLUE	NEUTRAL	40	9
BROWN	LINE	40	9



CORDAGE PREPARATION



www.InternationalConfig.com
sales@internationalconfig.com